

## 6 station "ADD-ON" for TT-250 & TT-500 Turn Table

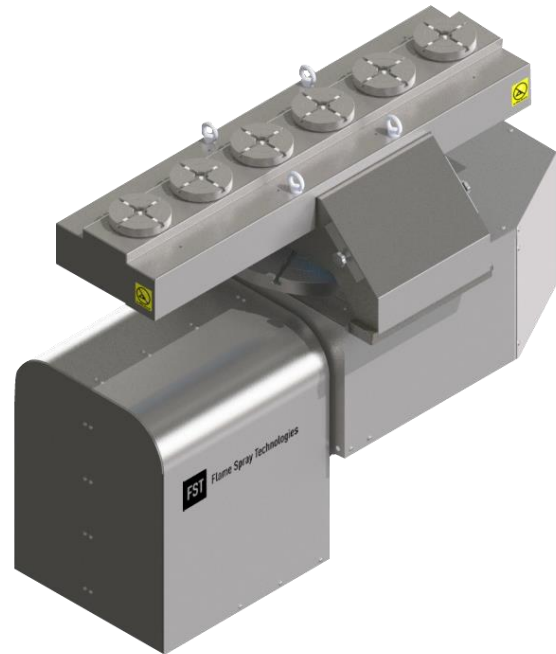
The 6 station ADD-ON, designed for the TT-250&500 Turn Table provides companies with a robust tool to increase production without major investments. By changing a single station into an 6-Station turntable. The 6-Station "ADD-ON" is easy to install or to remove from the TT-250&500 turn table.

The 6 Station is positioned onto connection plates by means of a crane or other lifting tool, and is connected to the TT main drive through a coupling system, which drives the 6-Station ADD-ON.



The 6 station "ADD-ON" is driven by the Turn Table and is especially designed to work in conjunction with the robot. All functions of the turn table are coordinated and controlled by the robot. The "Add-on" has the capability of rotation and indexing, controlled as external robot axes (7th axis).

The 6 Station ADD-ON, with indexing capabilities, allows for the simultaneous spraying (max. 6 parts) of complicated parts such as turbine blades.



The functions of the drive unit (rotation speed, directions of rotation, start/stop, etc.) are programmed via the robot teach pendant. Including separate Zero-rotation sensor on main table manipulator.

Basic specifications 6 station ADD-ON are as follows:

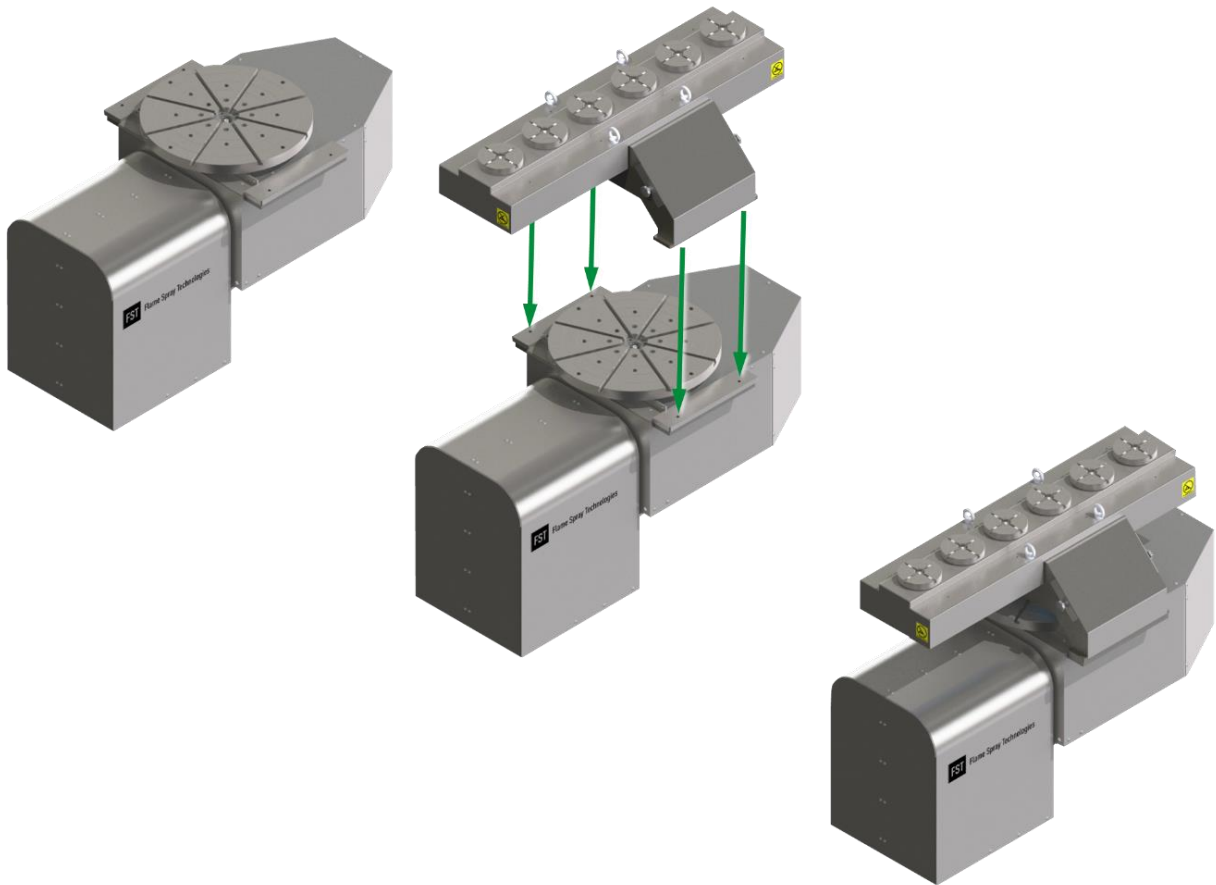
- Number of spindles: 6
- Maximum component weight: 20kg (6x)
- Max. component diam.: 200 mm (6x)  
(in case of 2 part, max diameter: 550mm)
- Rotational speed: 0-300 rpm (cw + ccw)
- Face plate: 6x 155mm, 3 or 4 slots
- Tilting: Not possible

All components selected for the 6-Station ADD-ON, including the rotation mechanism are of the highest possible quality to insure maximum performance and service lifetime.

The 6-Station ADD-ON design results in:

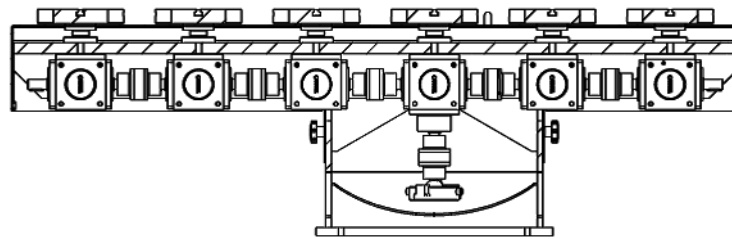
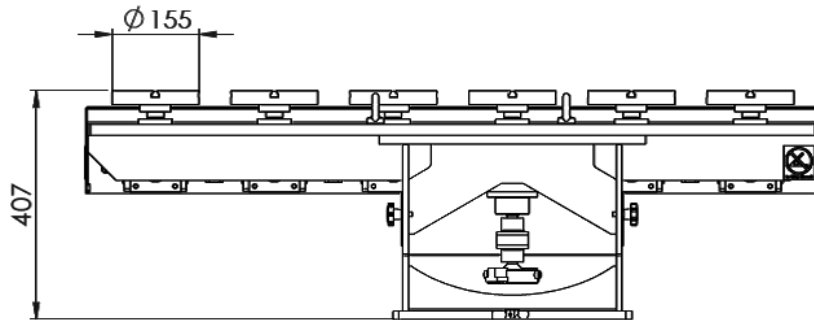
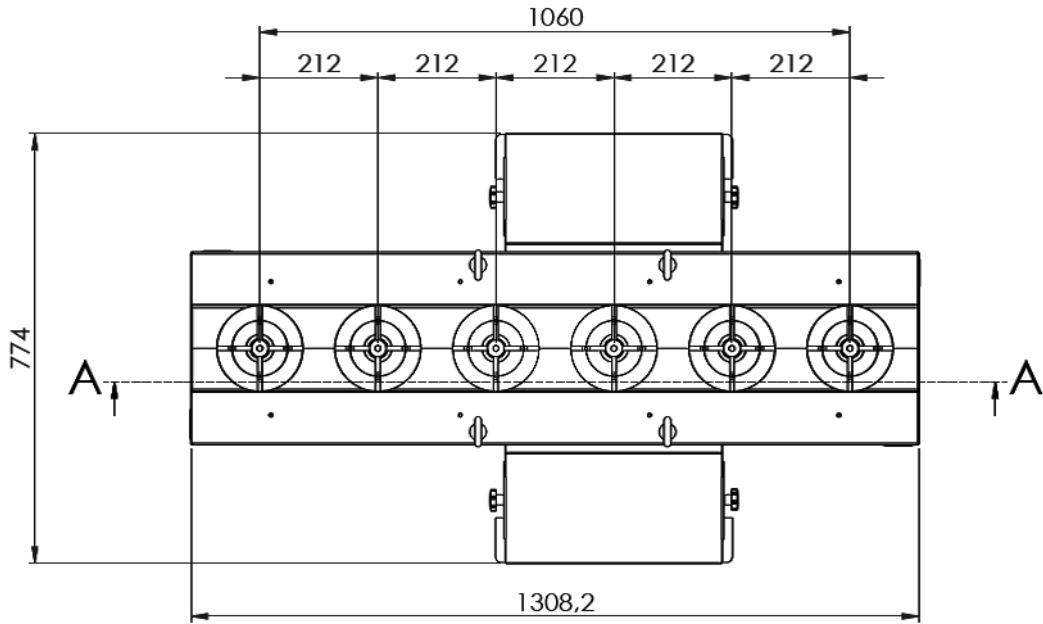
- Increased production capabilities.
- More applications opportunities.
- Fewer stops of the thermal spray process.

### How does it work?



### Specifications

Descriptions	6 Station ADD-ON
Load Capacity – Horizontal (0°)	6 x 20kg or 2x 40kg (incl. fixtures)
RMP range	0 – 300 (±1 rpm)
Direction of Rotation	CW/CCW
Tilting Positioning	Not Possible/Allowed
Rotary Table Positioning	YES
Face plate	High Strength Steel: 155mm 3 or 4 T-slots
Zero speed sensor	Yes (at TT-250&500)
Total Weight (excl. product)	150 kg



SECTION A-A

**Flame Spray Technologies B.V.**  
 The Netherlands (Head Office)  
 Tel: +31 26 3190140  
 Fax: +31 26 3190141  
[info@fst.nl](mailto:info@fst.nl)

**Flame Spray Technologies Ltd.**  
 United Kingdom  
 Tel: +44 2921 660511  
 Fax: +44 2921 660811  
[uk@fst.nl](mailto:uk@fst.nl)

**Flame Spray Technologies**  
 Poland  
 Tel: +31 26 3190140  
 Fax: +31 26 3190141  
[info@fst.nl](mailto:info@fst.nl)

**Flame Spray Technologies**  
 France  
 Tel: +33 660 479051  
[france@fst.nl](mailto:france@fst.nl)

**Flame Spray Technologies, Inc.**  
 United States  
 Tel: +1 616 9882622  
 Fax: +1 616 9882629  
[info@fstincusa.com](mailto:info@fstincusa.com)

**Flame Spray Technologies**  
 Middle East  
 Tel: +971 50 6171749  
 Fax: +971 439 473 54  
[fstme@emirates.net.ae](mailto:fstme@emirates.net.ae)

**Flame Spray Technologies Pte Ltd.**  
 Singapore  
 Tel: +65 644 982 38  
[customer-support@fst-sg.com](mailto:customer-support@fst-sg.com)  
[www.fst-sg.com](http://www.fst-sg.com)

