



**FST**

**Flame Spray Technologies**

---

**SPARE PARTS**

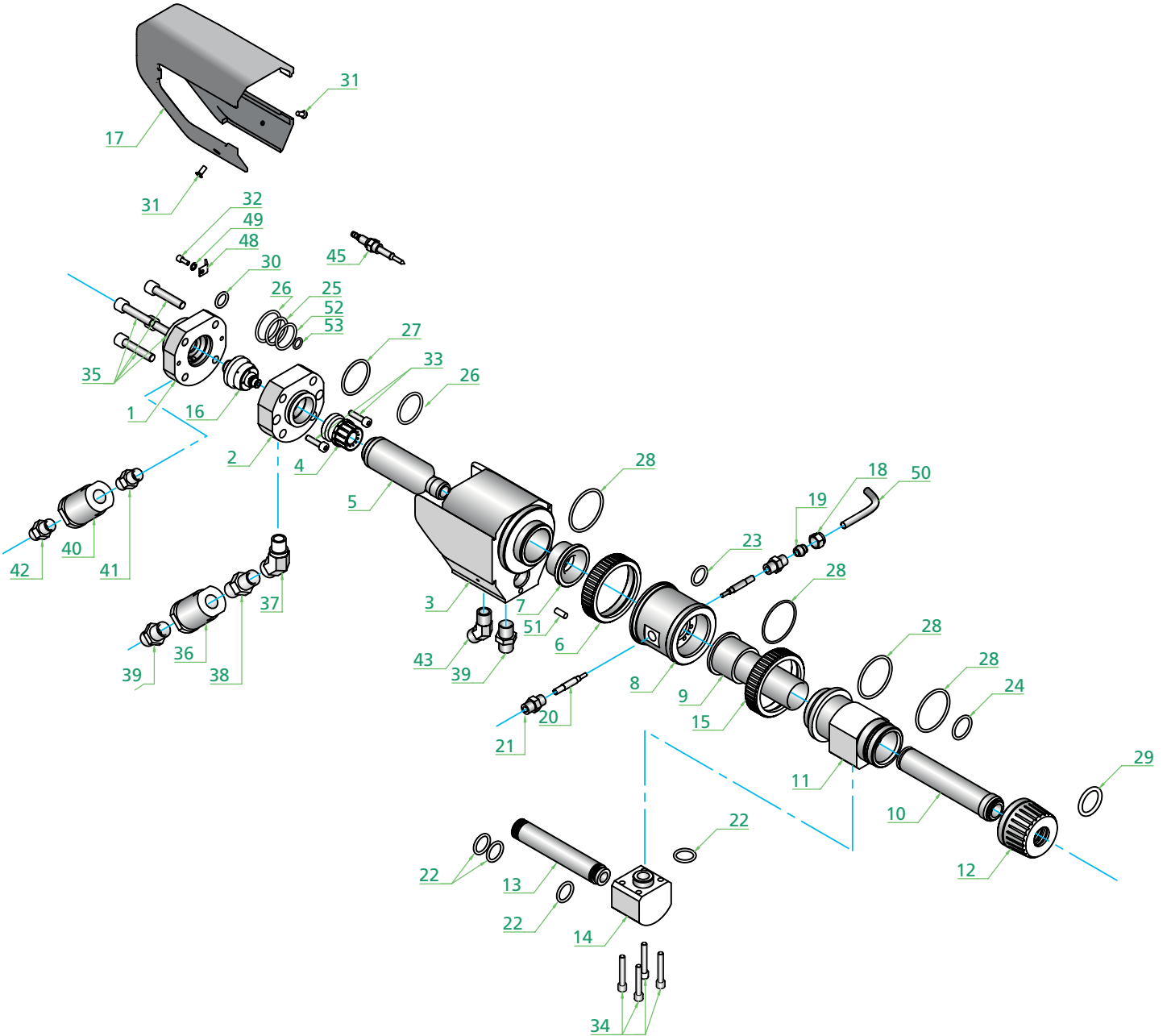
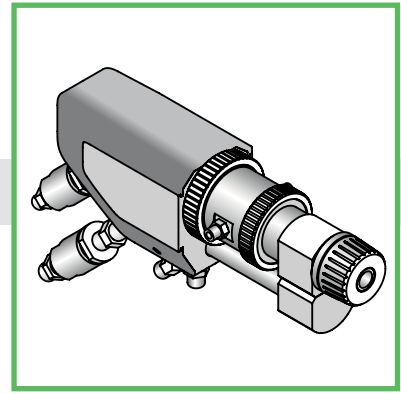
---

**THERMAL SPRAY CONSUMABLES GUIDE**

## Index

eGun™ HVOF Gun	47
JP-5000 HVOF Gun	49
F4 Plasma Guns	53
F1-45° / F1-90° Plasma Guns	57
3MB Plasma Gun	61
3MBT-30° / 3MBT-90° Plasma Guns	65
9MB Plasma Gun (machine mounted)	69
9MB Plasma Gun (hand held)	73
Dual Powder Feed Assembly (with air jet) - Type 1	77
Powder Port Assemblies - Type 1	79
Dual Powder Feed Assembly (with air jet) - Type 2	81
Powder Port Assemblies - Type 2	83
SG-100 Plasma Gun	85
2086 SG-100 Plasma Gun Extension	89
AWS-400 Arc Wire Gun	91
FWS-20 Flame Wire Gun	95
5P-II Flame Powder Gun	101
6P-II Flame Powder Gun	105
PF-50 Powder feeder	109
FST 10-20 powder feeder hopper	113
Robot Gun Fixtures	115

eGun™ HVOF Gun



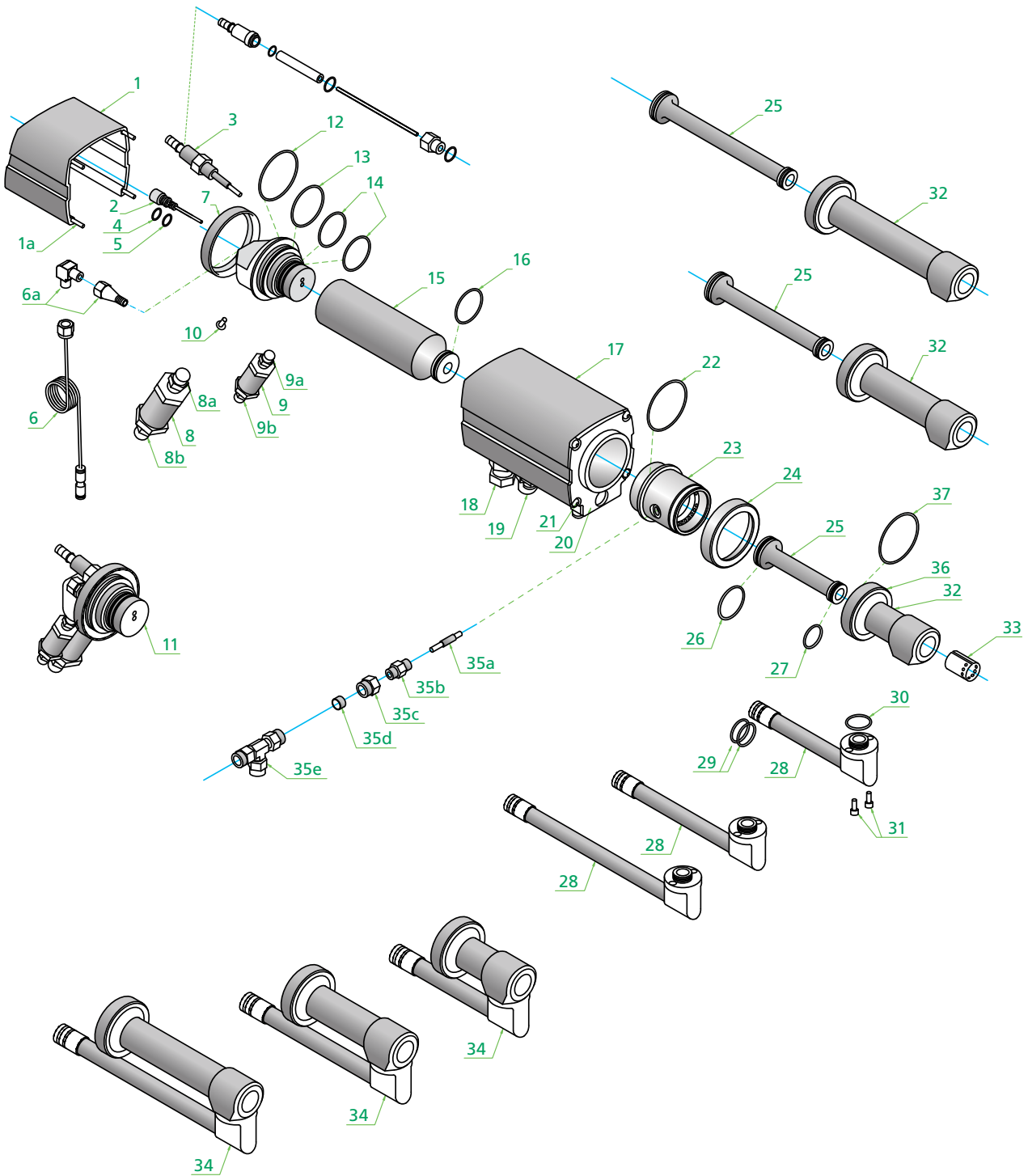
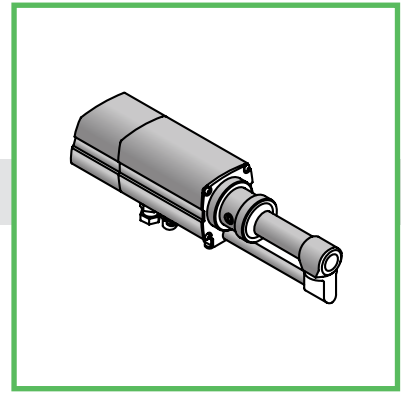
## Spare Parts

eGun™ HVOF Gun		
Pos.	FST p/n	Product Description
1	311.001	F-Housing
2	311.002	O-Housing
3	311.003	Chamber housing
4	311.004-02	Pre-chamber HE <sup>s-1</sup>
5	311.005-01	Combustion chamber <sup>s-2</sup>
6	311.006	Interconnector nut #1
7	311.007	Adapter
8	311.008-01	Interconnector <sup>s-2</sup>
9	311.009	4" Deflector
10	311.010-22	4" Barrel <sup>s-10</sup>
11	311.011	4" Barrel housing
12	311.012	Barrel nut
13	311.013	4" Water out tube
14	311.014	Water out fitting
15	311.015	Interconnector nut #2
16	311.016-01	Fuel injector assembly HE incl. 4x O-rings
17	311.017	Rear cover
18	311.018	Nut 1/4" tube <sup>*4 / s-20</sup> , incl. Ferrule plastic <sup>*4 / s-20</sup>
19	311.019	Ferrule plastic <sup>*10 / s-20</sup>
20	311.020-02	Powder injector <sup>*10 / s-20</sup>
21	311.029	Fitting Powder Port <sup>*4 / s-20</sup>
36	311.036	Oxygen Check Valve <sup>s-1</sup>
37	311.037	Adapter oxygen 45° 1/4" NPT to O-Housing
38	311.038	Nipple, 1/8" Oxygen check valve <sup>s-1</sup>
39	311.039	Adapter, 1/4" NPT
40	311.040	Fuel Check Valve <sup>s-1</sup>
41	311.041	Nipple, 1/8" Fuel check valve to F- housing
42	311.042	Adapter, 1/8" NPT
43	311.043	Adapter W45°, 1/4" NPT
45	311.045	Spark plug assembly
48	311.048	AMP Connector (M)
49	311.049	AMP Washer
51	311.062	Dowel pin

eGun™ HVOF Gun		
Pos.	FST p/n	Product Description
<b>O-RINGS</b>		
	311.800	eGun™ O-ring Set <sup>s-1</sup> / including:
22	311.021	O-ring Water tube <sup>*10</sup> , Water out fitting <sup>*10</sup>
23	311.022	O-ring Interconnector <sup>*10</sup>
24	311.023	O-ring Barrel <sup>*10</sup>
25	311.024	O-ring Fuel assy 1 <sup>*10</sup>
26	311.025	O-ring Fuel assy, Comb. chamber 2 <sup>*10</sup>
27	311.026	O-ring O-Housing <sup>*10</sup>
28	311.027	O-ring Chamber housing, Barrel housing and Deflector <sup>*10</sup>
29	311.028	O-ring Front Barrel Nut <sup>*10</sup>
30	311.030	O-ring F-Housing <sup>*10</sup>
52	311.060	O-ring Fuel assy 3 <sup>*10</sup>
53	311.061	O-ring Fuel assy front <sup>*10</sup>
<b>BOLTS</b>		
	311.900	Set of eGun™ Bolts
31	311.031	Bolts rear cover <sup>*2</sup>
32	311.032	Bolt AMP Connector
33	311.033	Bolts O-Housing <sup>*2</sup>
34	311.034	Bolts Barrel housing - Water out fitting <sup>*4</sup>
35	311.035	Bolts F-Housing <sup>*4</sup>
<b>CABLES &amp; HOSES**</b>		
	311.050-01	Hose & cable set, 20 ft
	311.050-02	Hose & cable set, 30 ft
	311.050-03	Hose & cable set, 50 ft
50	500.001	Power feed hose
<b>ROBOT eGun FIXTURES</b>		
A	259.061	Robot fixplate eGun™
B	259.001	Robot intermediate insulator
C	259.002	Robot intermediate connector
D		Robot adapters for certain types of robots are available upon request
<b>OTHER</b>		
	311.051	Toolkit eGun™
	500.029	O-ring lube

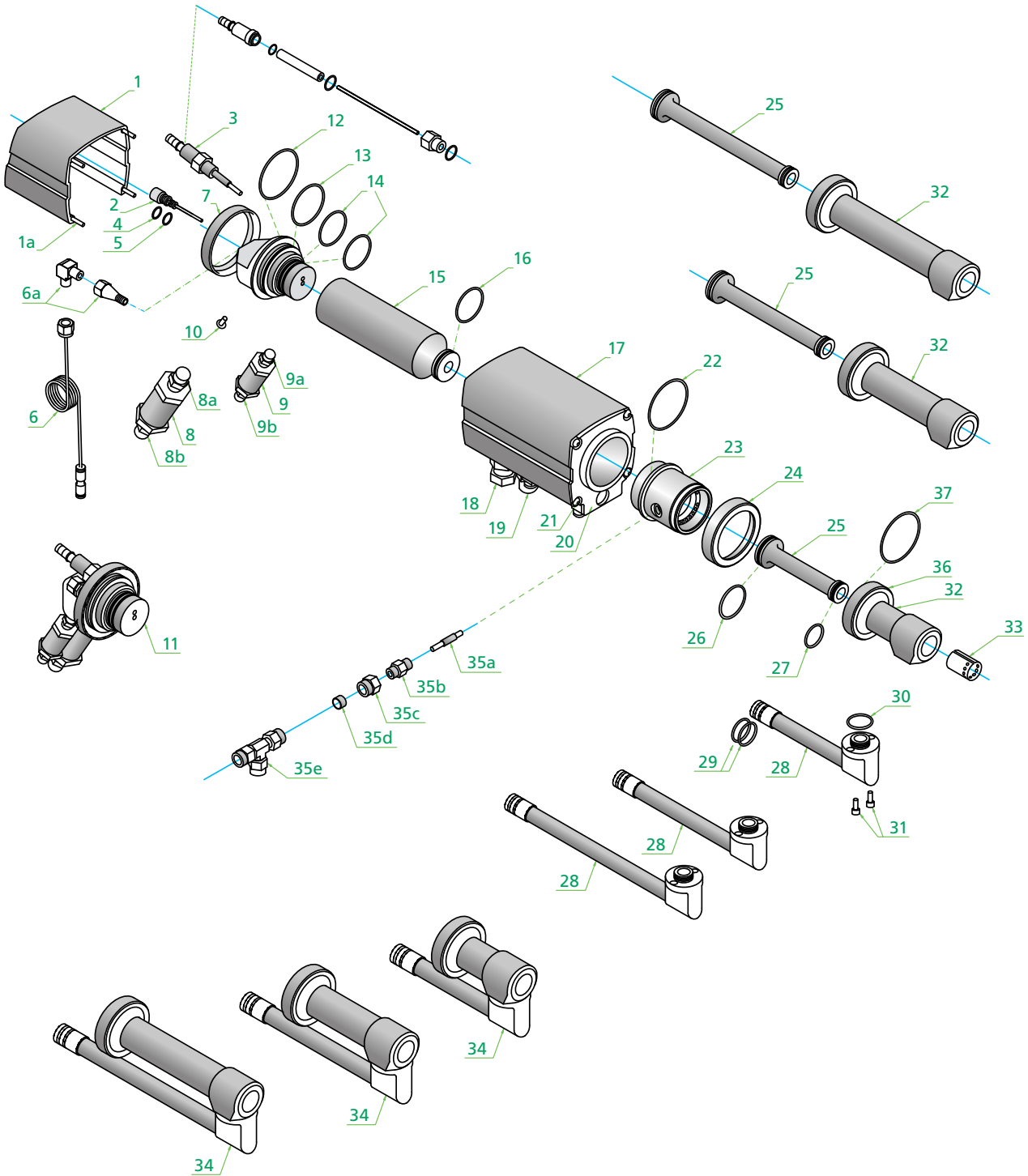
*\*n : Minimum Order Quantity / s-n : Recommended stock  
 \*\* : Individual hoses on request: 311.052-xx for Oxygen  
 311.053-xx for Ethanol  
 311.054-xx for water In  
 311.055-xx for Water out*

# JP-5000 HVOF Gun



<b>JP-5000 HVOF GUN</b>			
<b>Pos.</b>	<b>FST p/n</b>	<b>Product Description</b>	<b>OEM / Remark</b>
	<b>310.000-01</b>	JP 5000 HP/HVOF Gun	including 4"/6"/8" barrel assembly
	<b>310.000-02</b>	JP 5000 HP/HVOF Gun	including 4" barrel assembly
1	<b>310.062</b>	Rear cover	450926
1a	<b>310.004</b>	Rear cover dowel pin	200596
2	<b>310.082</b>	Coaxial fuel tube assembly	600464
3	<b>310.074</b>	Spark plug assembly	600408
4	<b>310.025</b>	O-Ring, coaxial fuel tube, rear	230013
5	<b>310.034</b>	O-Ring, coaxial fuel tube, front	230248
6	<b>310.086</b>	Combustion pressure tube assembly	600628
6a	<b>310.090</b>	Elbow tube / nipple assembly	620178
7	<b>310.045</b>	Nut, stabilizer to water jacket	450780
8	<b>310.103</b>	Oxygen check valve	410165
8a	<b>310.010</b>	Nipple, 1/4" Oxygen check valve to stabilizer	210081
8b	<b>310.013</b>	Adapter, 1/4" NPT	210145
9	<b>310.042</b>	Fuel check valve	410113
9a	<b>310.009</b>	Nipple, 1/8" Fuel check valve to stabilizer	210077
9b	<b>310.007</b>	Adapter 1/8" NPT	210010
10	<b>310.005</b>	Screw, ground cable	200816
11	<b>310.069</b>	Coaxial stabilizer assembly	600392
12	<b>310.030</b>	O-Ring, stabilizer, back	230094
13	<b>310.101</b>	O-Ring, comb. chamber to stab. spacer	230059
14	<b>310.033</b>	O-Ring, stabilizer, front	230212
15	<b>310.060</b>	Combustion chamber	450924
16	<b>310.031</b>	O-Ring, combustion chamber	230209
17	<b>310.058</b>	Water jacket	450879
18	<b>310.018</b>	Fitting, swivel, water in, 3/8" MNPT	210359
19	<b>310.017</b>	Fitting, water out	210358
20	<b>310.063</b>	Front cover plate	-
21	<b>310.002</b>	Screw, front cover plate	200063
22	<b>310.102</b>	O-Ring, interconnector	230092
23	<b>310.059</b>	Interconnector	450922
24	<b>310.044</b>	Nut, interconnector to water jacket	450779
25	<b>310.078</b>	4" Barrel w/O-Rings	600460
	<b>310.079</b>	6" Barrel w/O-Rings	600461
	<b>310.080</b>	8" Barrel w/O-Rings	600462

# JP-5000 HVOF Gun

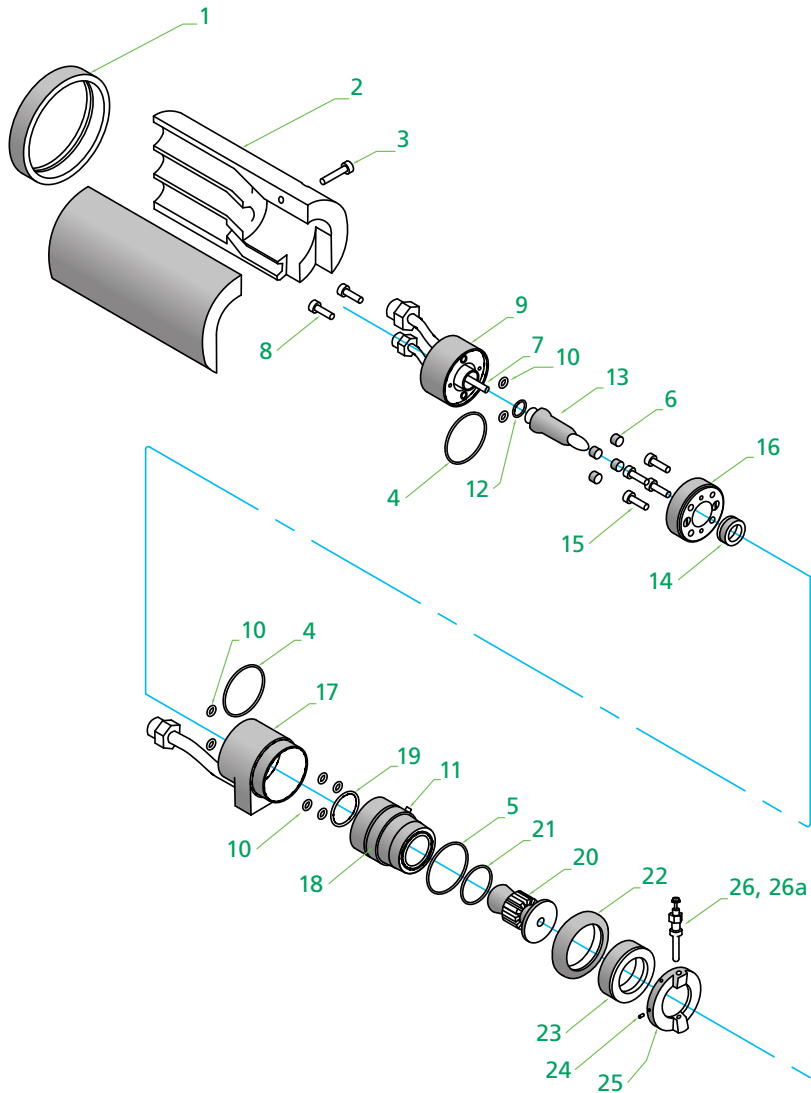
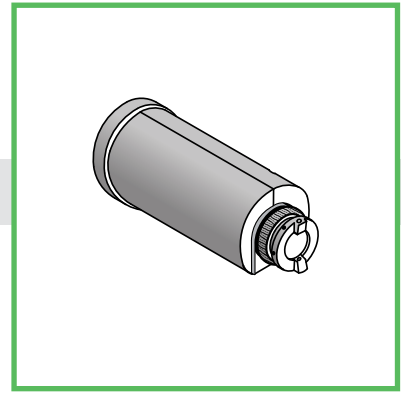


<b>JP-5000 HVOF GUN</b>			
Pos.	FST p/n	Product Description	OEM / Remark
26	310.032	O-Ring, barrel, back	230211
27	310.035	O-Ring, barrel, front	230261
28	310.052	4" Water return tube	450869
	310.053	6" Water return tube	450870
	310.054	8" Water return tube	450871
29	310.026	O-Ring, water return tube to water jacket	230027
30	310.100	O-Ring, water return tube/barrel holder	230046
31	310.003	Screw, water return to barrel holder	200418
32	310.047	4" Barrel holder	450863
	310.048	6" Barrel holder	450864
	310.049	8" Barrel holder	450865
33	310.065	Water baffle	450936
34	310.070	4" Barrel assembly	600401
	310.071	6" Barrel assembly	600402
	310.072	8" Barrel assembly	600403
35a	310.061-01	Feed tube insert	450925
35b	310.091-01	Fitting, powder port 1/4"	620180
35c	310.019	Nut, 1/4" tube	210364
35d	310.008	Ferrule, plastic, 1/4" tube	210042
35e	310.016	Powder feed splitter	210286
36	310.043	Nut, barrel holder to interconnector	450778
37	310.029	O-Ring, barrel holder	230086
<b>OTHERS</b>			
	310.107	2.5" Barrel w/O-Ring	600480
	310.081	12" Barrel w/O-Rings	600463
	310.106	2.5" Barrel assembly	600479
	310.073	12" Barrel assembly	600404
<b>CABLES AND HOSES**</b>			
	310.094-01	Hose & cable set, 20 ft	800386-20
	310.094-02	Hose & cable set, 30 ft	800386-30
	310.094-03	Hose & cable set, 50 ft	800386-50
	113.269	Tubing 1/4"	220021
	113.273	Tubing, 1/8" OD, comb. chamber pressure	220098

\*\* : Individual hoses on request: 310.105-xx for oxygen  
310.108-xx for kerosen  
310.109-xx for Water

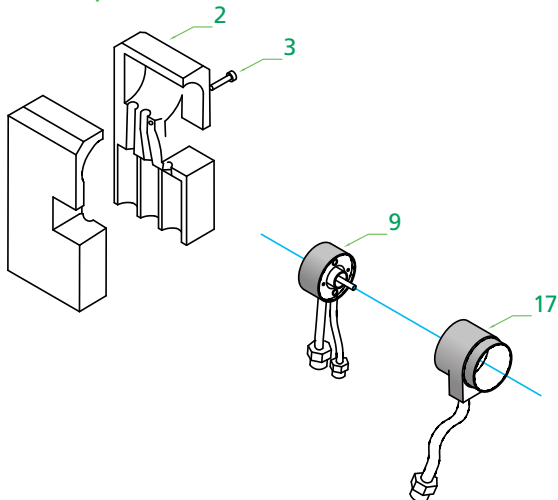


## F4-MB Plasma Gun



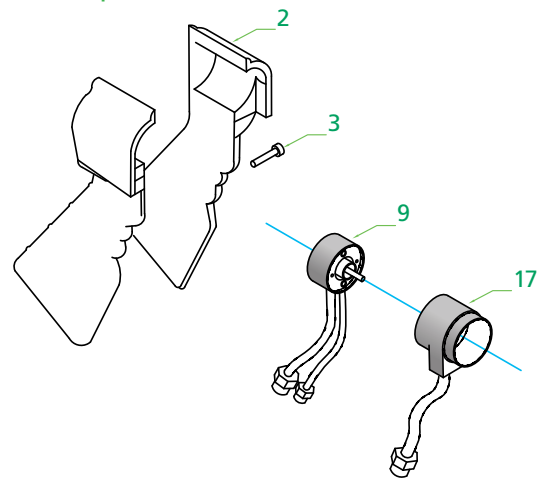
### F4-HBS Model

all other parts identical to F4-MB



### F4-HB Model

all other parts identical to F4-MB

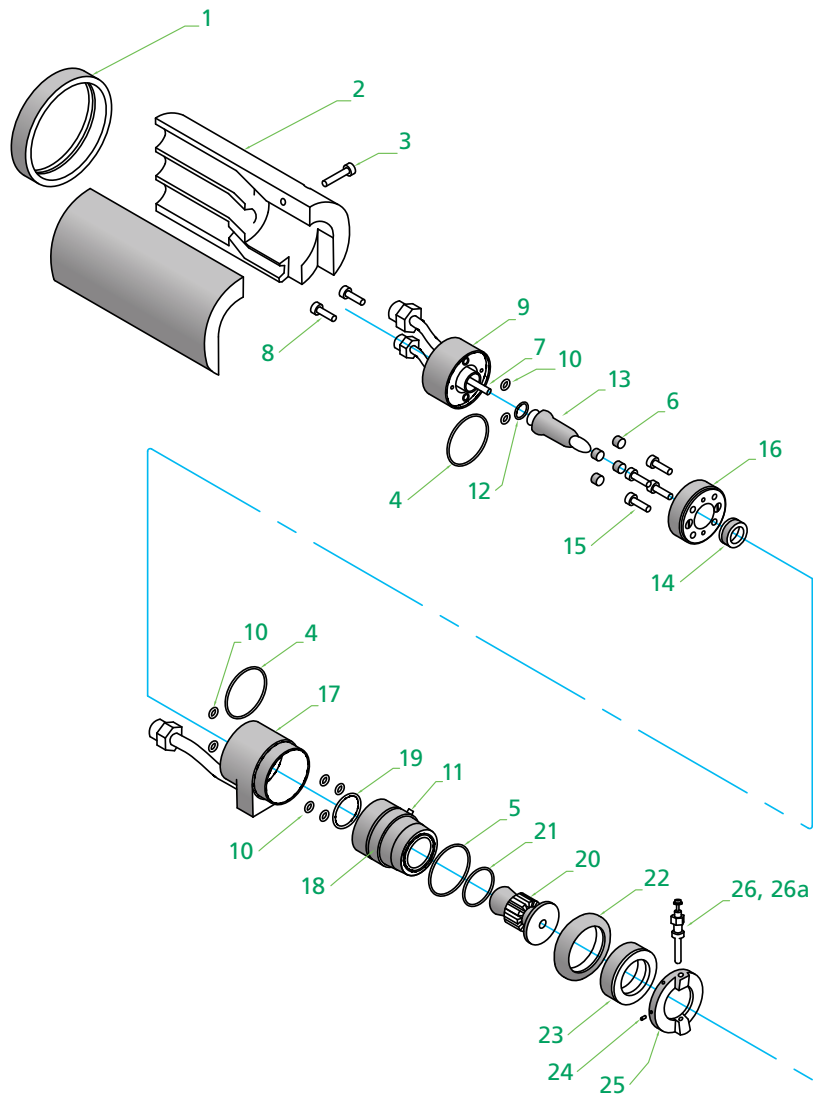


<b>F4-MB PLASMA GUN</b>			
Pos.	FST p/n	Product Description	OEM / Remark
	<b>300.000-01</b>	F4-MB Plasma gun complete	–
	<b>300.000-02</b>	F4-HB Plasma gun complete	–
	<b>300.000-04</b>	F4-VB Plasma gun complete	–
1	<b>300.001</b>	Secure ring	310017
2	<b>300.002-01</b>	Gun cover F4-MB (shell halves)	310013
	<b>300.002-02</b>	Gun cover F4-HB (shell halves)	300013
	<b>300.002-03</b>	Gun cover F4-HBS (shell halves)	301013
3	<b>300.003-01</b>	Screw	300142
	<b>300.003-02</b>	Screw, for F4-HB Gun	300014
	<b>300.003-03</b>	Screw, for F4-HBS Gun	300145
4	<b>300.061</b>	O-Ring, 44 x 1 mm	300005
5	<b>300.060</b>	O-Ring, 42 x 1.5 mm	300041
6	<b>300.010</b>	Insulating screws	300140
7	<b>300.006</b>	Cooling water tube	300009
8	<b>300.003-01</b>	Screw	300142
9	<b>300.004-01</b>	Rear gun body, for F4-MB	310010
	<b>300.004-02</b>	Rear gun body, for F4-HB	300010
	<b>300.004-03</b>	Rear gun body, for F4-HBS	301010
10	<b>300.005</b>	O-Ring (gun body)	300031
11	<b>300.021</b>	Set screw for anode holder	300139
12	<b>300.007</b>	O-Ring electrode	300032
13*	<b>300.008</b>	Electrode, for N2	300001
	<b>300.056</b>	Electrode, 'short' for N2	300056
14	<b>300.018</b>	Gas distribution ring	300081
15	<b>300.013</b>	Screws M4x10	300141
16	<b>300.015</b>	Intermediate body	300080
17	<b>300.020-01</b>	Center Body, for F4-MB	310007
	<b>300.020-02</b>	Center Body, for F4-HB	300007
	<b>300.020-03</b>	Center Body, for F4-HBS	301007
18	<b>300.022</b>	Anode Body	300006
	<b>300.023</b>	Anode Body, 'short' for N2	300023
19	<b>300.024</b>	O-Ring nozzle rear	300034
20**	<b>300.025</b>	Nozzle F4, 5 mm	300022
	<b>300.027</b>	Nozzle F4, 6mm	300002

\* : All electrodes include O-Ring 300.007

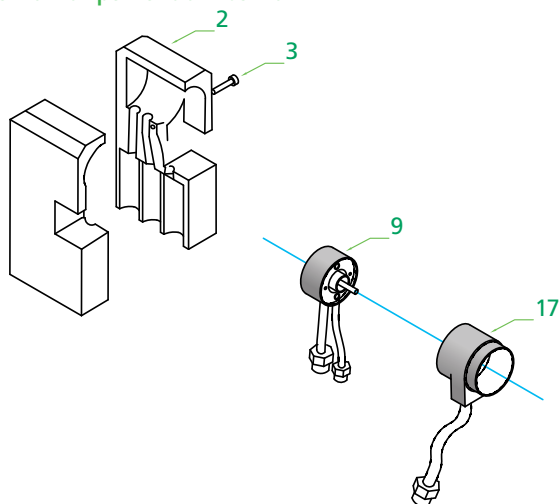
\*\* : All nozzles include O-Rings 300.024 + 300.033

## F4-MB Plasma Gun



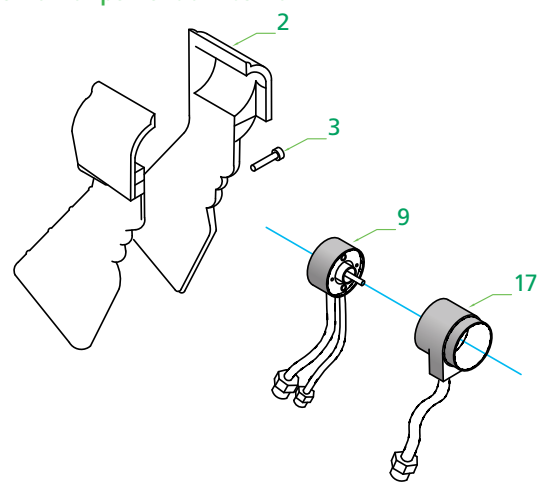
### F4-HBS Model

all other parts identical to F4-MB



### F4-HB Model

all other parts identical to F4-MB

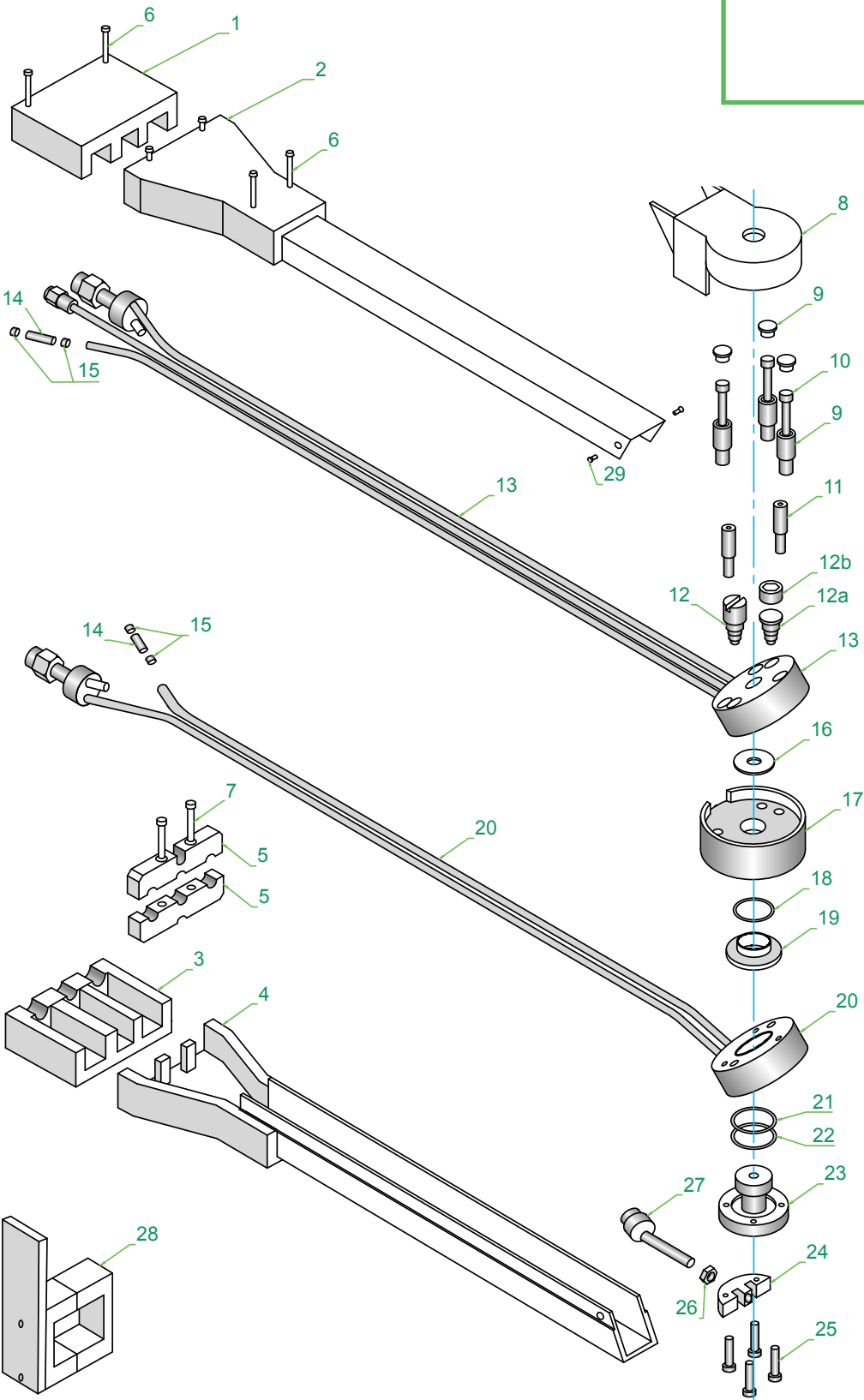
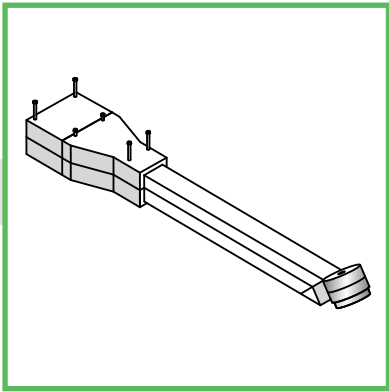


<b>F4-MB PLASMA GUN</b>			
<b>Pos.</b>	<b>FST p/n</b>	<b>Product Description</b>	<b>OEM / Remark</b>
20**	<b>300.029</b>	Nozzle F4, 7 mm	300002-10
	<b>300.031</b>	Nozzle F4, 8mm	300002-20
	<b>300.057</b>	Nozzle F4, 6mm, 'short' for N2	300046
	<b>300.059</b>	Nozzle F4, 8mm, 'short' for N2	-
21	<b>300.033</b>	O-Ring nozzle front	300033
22	<b>300.034</b>	Rear secure ring	300012
23	<b>300.035</b>	Front secure ring	300004
24	<b>300.036</b>	Screws M3x5	300143
25	<b>300.037-01</b>	Injector holder, 90/75, standard	300015
	<b>300.037-02</b>	Injector holder, 90/105	300050
	<b>300.037-03</b>	Double injector holder, 90/90	300016
	<b>300.037-04</b>	Injector holder, 105/90/75	-
26	<b>380.001</b>	Powder injector 1.5 mm	300019
	<b>380.002</b>	Powder injector 1.8 mm	300020
	<b>380.003</b>	Powder injector 2.0 mm	300021
26a	<b>380.042</b>	Nut M5	300144
<b>OTHERS</b>			
	<b>300.054</b>	Nozzle/Electrode set, 6mm	300003
	<b>300.055</b>	Nozzle/Electrode set, 6mm, 'short' for N2	300072
	<b>300.065</b>	Complete O-Ring set	-
	<b>300.063</b>	Electrode centering tool w/gauge	300060
	<b>300.066</b>	Cooling jet holder complete	300090-06
<b>CABLES, HOSES, FITTINGS</b>			
	<b>380.022-01</b>	Plasma gun power cable set	for F1/F4 gun, length 5 m
	<b>380.020-01</b>	Plasma gun power cable (negative)	for F1/F4 gun, length 5 m
	<b>380.021-01</b>	Plasma gun power cable (positive)	for F1/F4 gun, length 5 m
	<b>380.023-01</b>	Plasma gas hose	for F1/F4 gun, length 5 m
	<b>380.022-02</b>	Plasma gun power cable set	for F1/F4 gun, length 6 m
	<b>380.020-02</b>	Plasma gun power cable (negative)	for F1/F4 gun, length 6 m
	<b>380.021-02</b>	Plasma gun power cable (positive)	for F1/F4 gun, length 6 m
	<b>380.023-02</b>	Plasma gas hose	for F1/F4 gun, length 6 m
	<b>500.001</b>	Powder feed hose	-
	<b>500.021</b>	Powder feed hose screw fitting	for powder hose 500.001

\* : All electrodes include O-Ring 300.007

\*\* : All nozzles include O-Rings 300.024 + 300.033

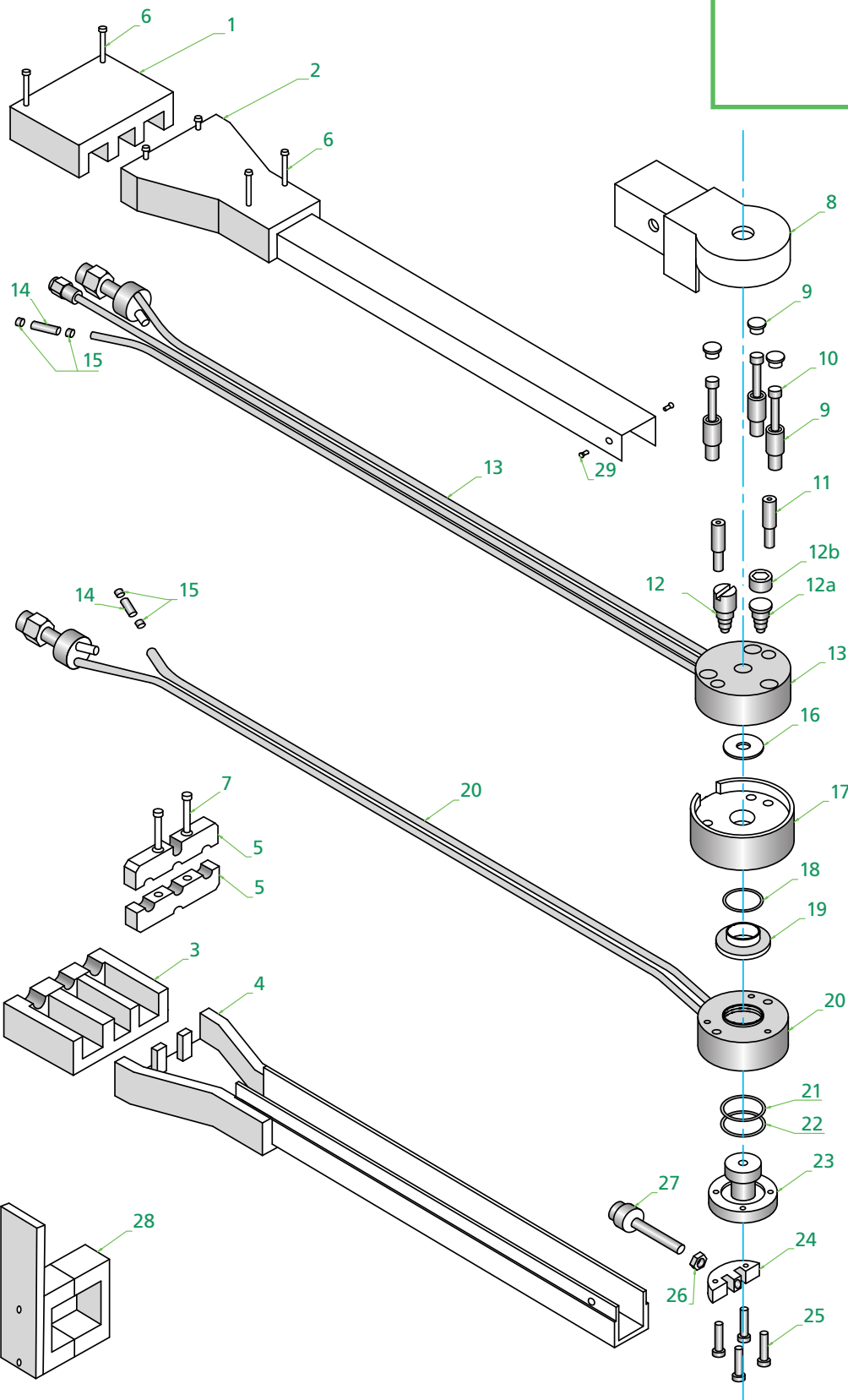
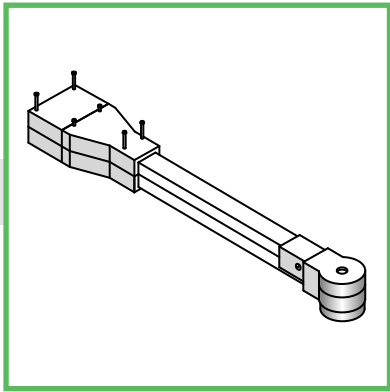
# F1-45° Plasma Gun



<b>F1-45° / F1-90° PLASMA GUNS</b>			
<b>Pos.</b>	<b>FST p/n</b>	<b>Product Description</b>	<b>OEM / Remark</b>
	<b>301.000-01</b>	F1-45 Gun	344000
	<b>301.000-02</b>	F1-90 Gun	340000
1,2,3,4	<b>301.001-01</b>	Shells complete for F1-45 gun	344011, for F1-45 Gun
	<b>301.001-02</b>	Shells complete for F1-90 gun	340011, for F1-90 Gun
5	<b>301.006</b>	Holder	340015
6	<b>301.028</b>	Socket head cap screw	for F1 gun shells
7	<b>301.029</b>	Socket head cap screw for holder	for F1 gun holder
8	<b>301.002-01</b>	Cover	344012, for F1-45 Gun
	<b>301.002-02</b>	Cover	340012, for F1-90 Gun
9	<b>301.007</b>	Insulating sleeves and covers	340005
10	<b>301.008</b>	Screw, M3x16	300146
11	<b>301.009</b>	Centering pin	340060
12	<b>301.010-02</b>	Electrode, screw type	340001, for F1-90 Gun
12a	<b>301.010-01</b>	Electrode, plug type	343001, for F1-45 Gun
12b	<b>301.011</b>	Screw for electrode	343010, for F1-45 Gun
13	<b>301.012-01</b>	Rear section complete	344010, for F1-45 Gun
	<b>301.012-02</b>	Rear section complete	340010, for F1-90 Gun
14	<b>301.005</b>	Connecting hose	300138
15	<b>301.004</b>	Connecting hose clamp	300137
16	<b>301.013</b>	Gas distribution ring	340020
17,18,19	<b>301.014-00</b>	Intermediate section complete	344017-00
20	<b>301.015-01</b>	Front section	344009, for F1-45 Gun
	<b>301.015-02</b>	Front section	340009, for F1-90 Gun
21	<b>301.016</b>	O-Ring, 18 x 2 mm	343007
22	<b>301.017</b>	O-Ring, 19 x 1.5 mm	340008
23*	<b>301.018</b>	Nozzle, 5 mm	340002
	<b>301.019</b>	Nozzle, 6 mm	343002
	<b>301.020</b>	Nozzle, 7 mm	–
24	<b>301.022</b>	Injector support standard	340050
25	<b>301.023</b>	Nozzle screws, M3x10	300147
26	<b>301.021</b>	Locknut, M5	300144
27	<b>380.001</b>	Powder injector 1.5 mm	300019
	<b>380.002</b>	Powder injector 1.8 mm	300020
	<b>380.003</b>	Powder injector 2.0 mm	300021
	<b>380.004</b>	Powder injector 1.5 mm	344019, bent

\* : All nozzles include O-Rings 301.016 + 301.017

# F1-90° Plasma Gun

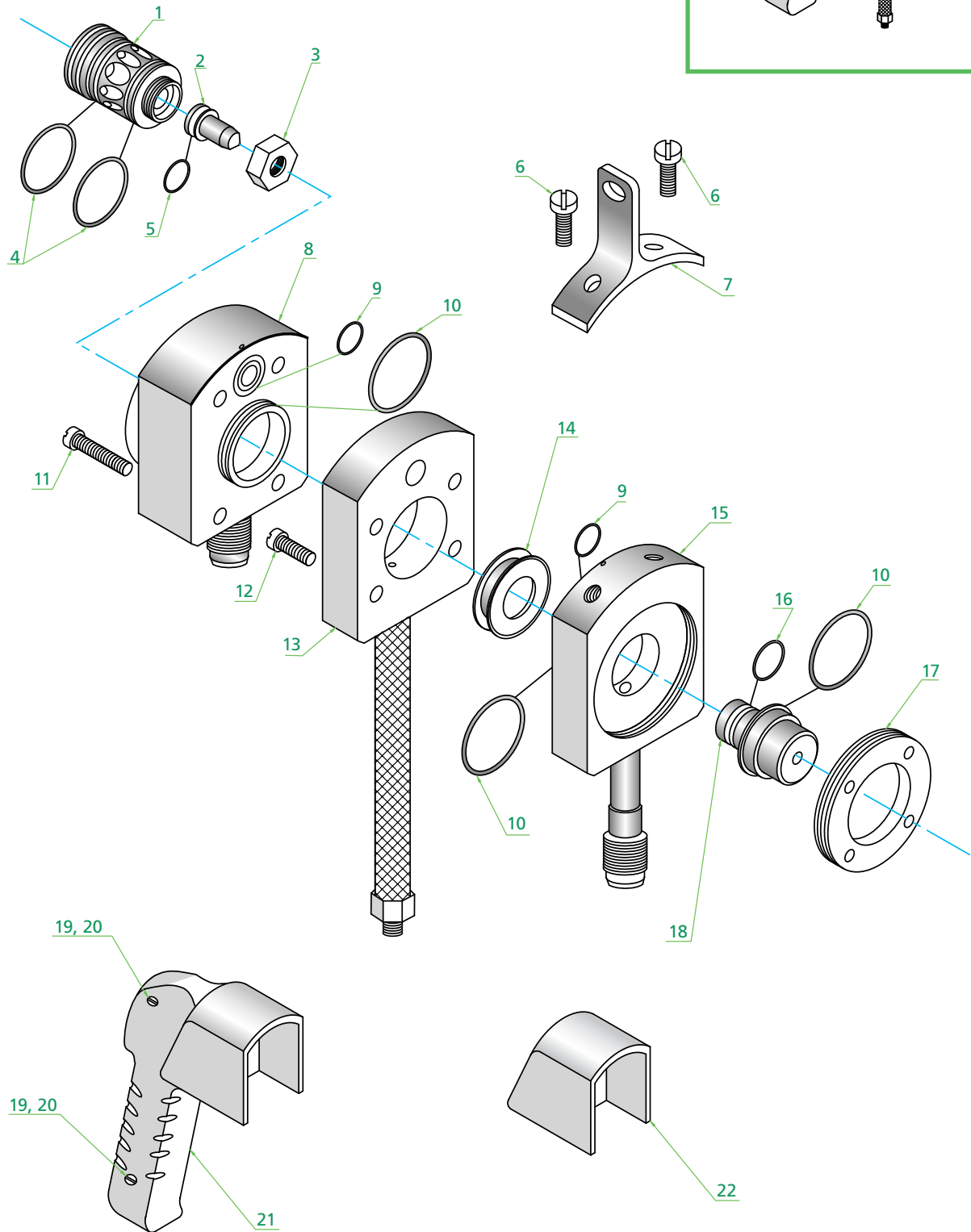
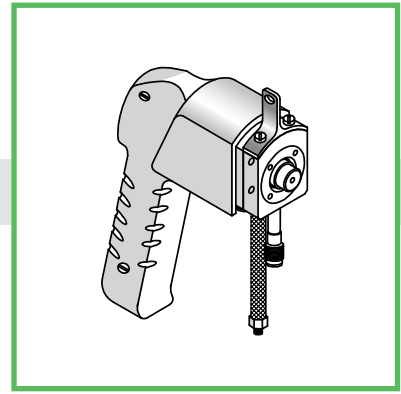


<b>F1-45° / F1-90° PLASMA GUNS</b>			
<b>Pos.</b>	<b>FST p/n</b>	<b>Product Description</b>	<b>OEM / Remark</b>
	<b>380.005</b>	Powder injector 1.8 mm	344020, bent
	<b>380.006</b>	Powder injector 2.0 mm	344021, bent
28	<b>301.024</b>	Gun holder complete	340016
29	<b>301.003</b>	Screws, M3x6	300148
<b>OTHERS*</b>			
	<b>301.014-00</b>	Intermediate section complete	344017-00, incl. 301.014-01, -02, -03
	<b>301.025-01</b>	Nozzle/Electrode/O-Ring set, 5 mm, plug type	340003-05
	<b>301.025-02</b>	Nozzle/Electrode/O-Ring set, 5 mm, screw type	340003-05
	<b>301.026-01</b>	Nozzle/Electrode/O-Ring set, 6 mm, plug type	343003-06
	<b>301.026-02</b>	Nozzle/Electrode/O-Ring set, 6 mm, screw type	343003-06
	<b>301.027-01</b>	Nozzle/Electrode/O-Ring set, 7 mm, plug type	–
	<b>301.027-02</b>	Nozzle/Electrode/O-Ring set, 7 mm, screw type	–
<b>CABLES, HOSES, FITTINGS</b>			
	<b>380.022-01</b>	Plasma gun power cable set	for F1/F4 gun, length 5 m
	<b>380.020-01</b>	Plasma gun power cable (negative)	for F1/F4 gun, length 5 m
	<b>380.021-01</b>	Plasma gun power cable (positive)	for F1/F4 gun, length 5 m
	<b>380.023-01</b>	Plasma gas hose	for F1/F4 gun, length 5 m
	<b>380.022-02</b>	Plasma gun power cable set	for F1/F4 gun, length 6 m
	<b>380.020-02</b>	Plasma gun power cable (negative)	for F1/F4 gun, length 6 m
	<b>380.021-02</b>	Plasma gun power cable (positive)	for F1/F4 gun, length 6 m
	<b>380.023-02</b>	Plasma gas hose	for F1/F4 gun, length 6 m
	<b>500.001</b>	Powder feed hose	–
	<b>500.021</b>	Powder feed hose screw fitting	for powder hose 500.001
	<b>500.032-01</b>	4MP Powder Hose (15ft)	
	<b>500.032-02</b>	4MP Powder Hose (20ft)	
	<b>500.032-03</b>	4MP Powder Hose (30ft)	
	<b>500.032-05</b>	4MP Powder Hose Orange(15ft)	
	<b>500.032-06</b>	4MP Powder Hose Orange(25ft)	
		<b>Other lengths available on request</b>	

\* : All nozzles include O-Rings 301.016 + 301.017

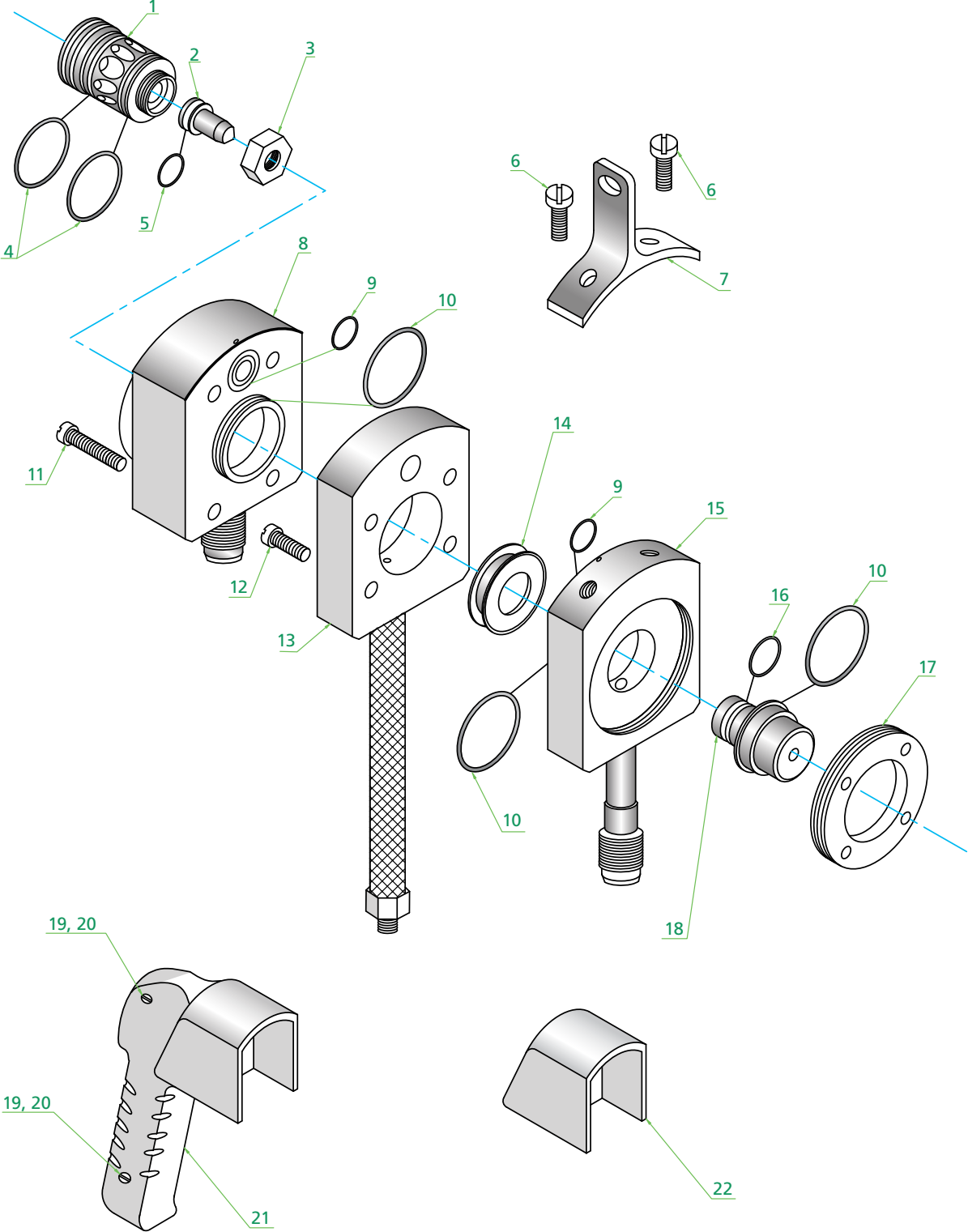


## 3MB Plasma Gun



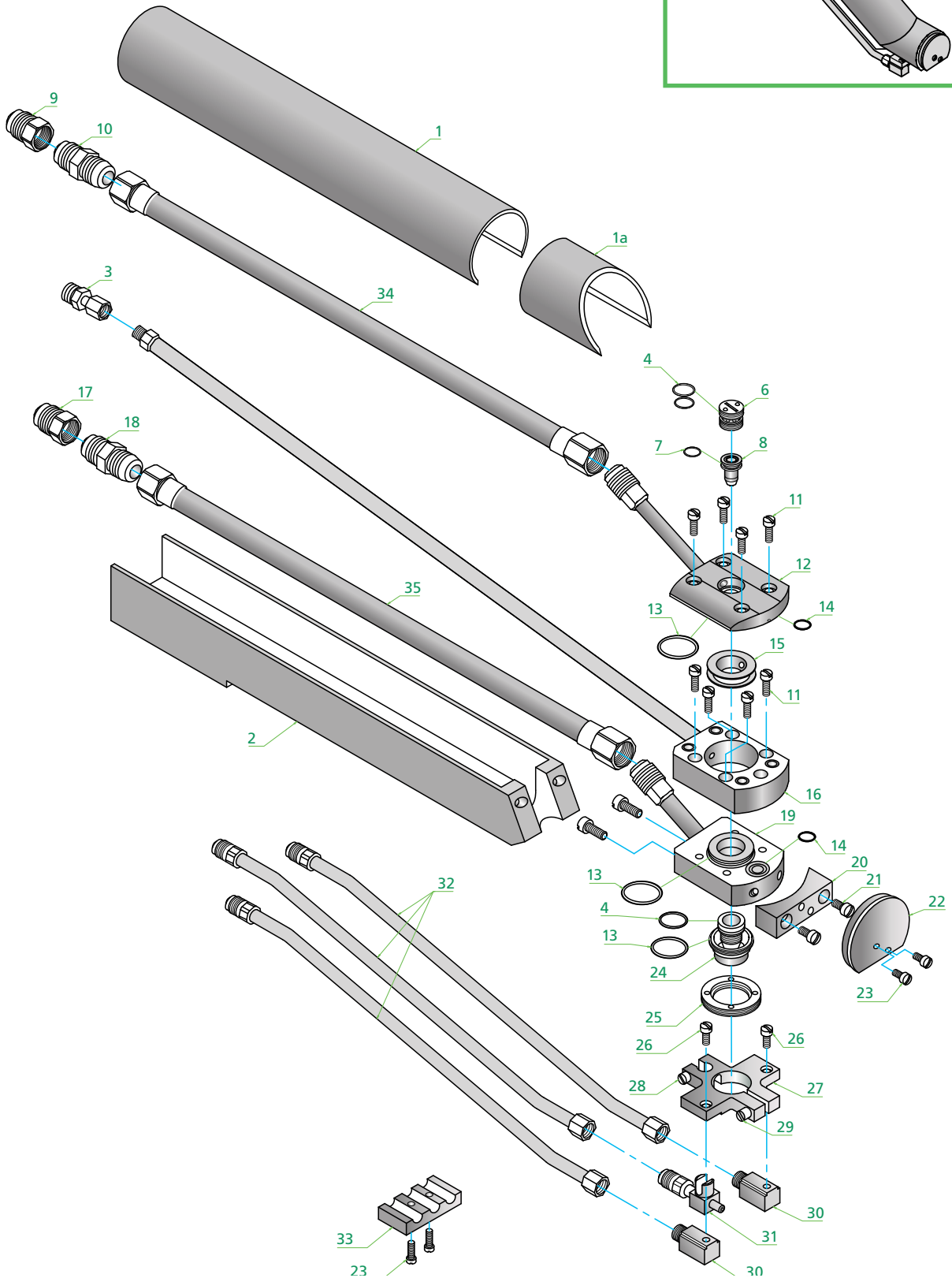
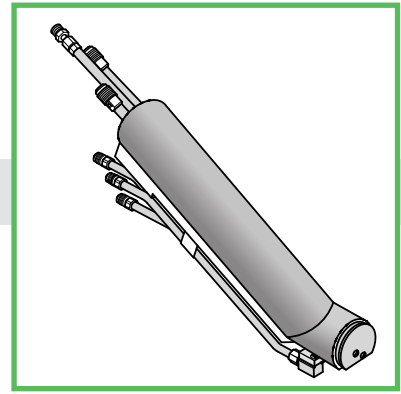
<b>3MB PLASMA GUN</b>			
<b>Pos.</b>	<b>FST p/n</b>	<b>Product Description</b>	<b>OEM / Remark</b>
	<b>304.000-01</b>	3MB gun complete, machine mounted	–
	<b>304.000-02</b>	3MB gun complete, hand held	–
1	<b>304.006</b>	Electrode holder	3M184A
2	<b>304.001</b>	Electrode assembly	3M11A
3	<b>304.034</b>	Electrode locking nut-black	3M276A
4	<b>304.017</b>	O-Ring, electrode holder	3M198A
5	<b>304.018</b>	O-Ring, electrode assembly	3M199A
6	<b>304.007</b>	Mounting bracket mounting screw	3M185A
7	<b>304.005</b>	Mounting bracket	3M183A
8	<b>304.009</b>	Rear gun body assembly	3M188A
9	<b>304.014</b>	O-Ring, front and rear gun body	3M195A
10	<b>304.015</b>	O-Ring, gun bodies and nozzle	3M196A
11	<b>304.012</b>	Screw-rear gun body	3M192A
12	<b>304.002</b>	Screw front gun body	3M168A
13	<b>304.010</b>	Insulator and hose assembly	3M189A
	<b>304.010-01</b>	Insulator hose 6" (hose only)	–
14	<b>304.033-01</b>	Distribution ring, 1-hole argon	3M275A
	<b>304.033-02</b>	Distribution ring, 2-hole nitrogen	–
15	<b>304.008</b>	Front gun body assembly	3M187A
16	<b>304.016</b>	O-Ring, nozzle, rear	3M197A
17	<b>304.011</b>	Nozzle locking ring	3M190A
18	<b>380.100-01</b>	"G" nozzle	3M7A-G
	<b>380.100-02</b>	"G" nozzle with tungsten insert	3M7A-G
	<b>380.101-01</b>	"GE" nozzle	3M7A-GE
	<b>380.101-02</b>	"GE" nozzle with tungsten insert	3M7-GE
	<b>380.102-01</b>	"GH" nozzle	3M7A-GH
	<b>380.102-02</b>	"GH" nozzle with tungsten insert	3M7-GH
	<b>380.103-01</b>	"GP" nozzle	3M7A-GP
19	<b>304.046</b>	Handle screw	3M43A
20	<b>304.003</b>	Handle nut	3M176A
21	<b>304.019</b>	Handle assembly, hand held	3M200A
22	<b>304.086</b>	Handle assembly, machine mounted	3M200A-1

### 3MB Plasma Gun



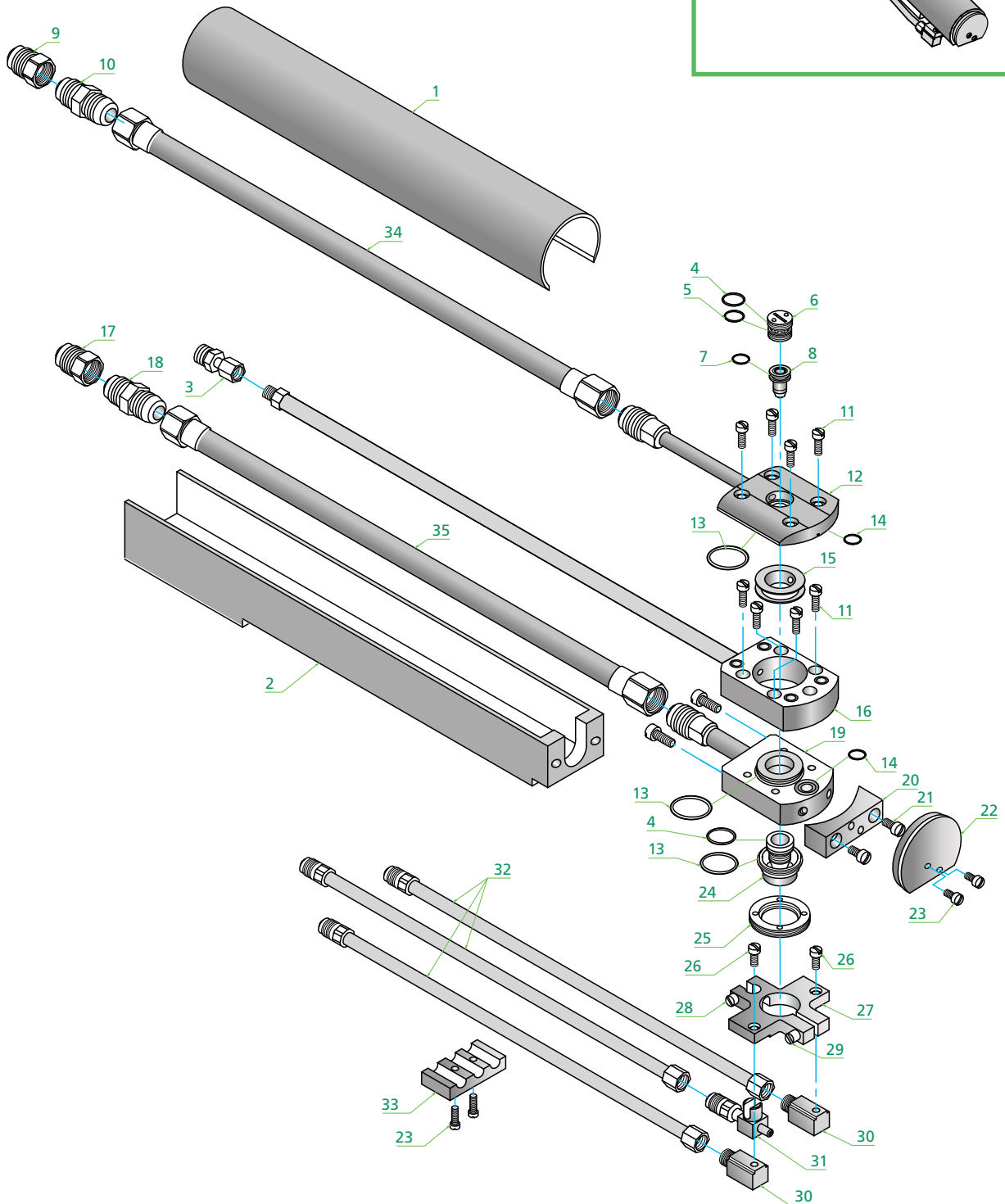
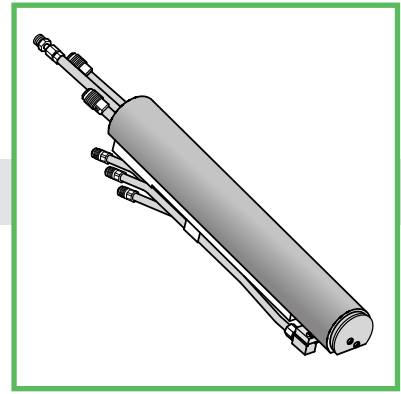
<b>3MB PLASMA GUN</b>			
Pos.	FST p/n	Product Description	OEM / Remark
<b>OTHERS</b>			
	304.013	Wrench for nozzle locking ring	3M193A
	304.023	Spare O-Rings	3M206A
	304.031	Mounting bracket	3M268
	304.032	Tool post stud assembly	3M269
	304.042	Plug	3M340
	304.043	Switch	3M341
<b>CABLES, HOSES, FITTINGS</b>			
	304.053-01	Plasma gas hose assembly, 20 ft.	3M336
	304.053-02	Plasma gas hose assembly, 15 ft.	3M336
	304.054-01	Nozzle hose & cable assembly, positive, 20 ft.	3M-394
	304.054-02	Nozzle hose & cable assembly, positive, 15 ft.	3M-394
	304.055-01	Electrode hose & cable assembly, negative, 20 ft.	3M-395
	304.055-02	Electrode hose & cable assembly, negative, 15 ft.	3M-395
	304.080	Adapter, 3MB gun - 7M/9M hose (left hand)	3M-797
	304.081	Adapter, 3MB gun - 7M/9M hose (right hand)	3M-798
	500.032-01	4MP Powder Hose (15ft)	
	500.032-02	4MP Powder Hose (20ft)	
	500.032-03	4MP Powder Hose (30ft)	
	500.032-05	4MP Powder Hose Orange(15ft)	
	500.032-06	4MP Powder Hose Orange(25ft)	
		<b>Other lengths available on request</b>	

## 3MBT-30° Plasma Gun



<b>3MBT-30° / 3MBT-90° PLASMA GUNS</b>			
<b>Pos.</b>	<b>FST p/n</b>	<b>Product Description</b>	<b>OEM / Remark</b>
	<b>304.000-03</b>	3MBT ID Plasma gun complete	24", 30 degrees
	<b>304.000-04</b>	3MBT ID Plasma gun complete	24", 90 degrees
<b>1</b>	<b>304.101-01</b>	Gun cover, 18"	
	<b>304.101-02</b>	Gun cover, 24"	
<b>1a</b>	<b>304.102</b>	Gun cover front, 30 degrees	
<b>2</b>	<b>304.103-01</b>	Extension arm, 18"	
	<b>304.103-02</b>	Extension arm, 24"	
	<b>304.104-01</b>	Extension arm, 18", 30 degrees	
	<b>304.104-02</b>	Extension arm, 24", 30 degrees	
<b>3</b>	<b>304.105</b>	Insulator hose adaptor, gas	3M 794
<b>4</b>	<b>304.016</b>	O-Ring, nozzle, rear + electrode holder 2x	3M 197
<b>6</b>	<b>304.107</b>	Electrode holder	
<b>7</b>	<b>304.018</b>	O-Ring, electrode assembly	3M 199
<b>8</b>	<b>304.001</b>	Electrode	3M 11
<b>9</b>	<b>304.080</b>	Adapter, 3MB gun - 7M/9M hose (left hand)	3M-797
<b>10</b>	<b>304.108</b>	Cable connector, negative	
<b>11</b>	<b>304.002</b>	Screw front gun body (4 ea. req)	3M 168
<b>12</b>	<b>304.109-01</b>	Gun body, rear, 90 degrees	3M 392
	<b>304.109-02</b>	Gun body, rear, 30 degrees	3M 392
<b>13</b>	<b>304.015</b>	O-Ring, front gun body and nozzle	3M 196
<b>14</b>	<b>304.014</b>	Cooling water O-Ring	3M 195
<b>15</b>	<b>304.033-01</b>	Distribution ring, 1-hole argon	3M 275A
	<b>304.033-02</b>	Distribution ring, 2-hole nitrogen	3M 275N
<b>16</b>	<b>304.110-01</b>	Insulator assembly, 90 degrees, 18"	
	<b>304.110-02</b>	Insulator assembly, 30 degrees, 18"	
	<b>304.110-03</b>	Insulator assembly, 90 degrees, 24"	
	<b>304.110-04</b>	Insulator assembly, 30 degrees, 24"	
<b>17</b>	<b>304.081</b>	Adapter, 3MB gun - 7M/9M hose (right hand)	3M 798
<b>18</b>	<b>304.111</b>	Cable connector, positive	
<b>19</b>	<b>304.008</b>	Front gun body assembly, 90 degrees	3M 187
	<b>304.112</b>	Front gun body assembly, 30 degrees	
<b>20</b>	<b>304.113</b>	Adapter block	3M 744
<b>21</b>	<b>304.007</b>	Mounting bracket mounting screw	3M 185
<b>22</b>	<b>304.114</b>	Cap cover, front shield	
<b>23</b>	<b>304.115</b>	Screw, cap mount	3M 397
<b>24</b>	<b>380.100-01</b>	"G" nozzle	3M7-G
	<b>380.101-01</b>	"GE" nozzle	3M7-GE
	<b>380.102-01</b>	"GH" nozzle	3M7-GH
	<b>380.103-01</b>	"GP" nozzle	3M7-GP

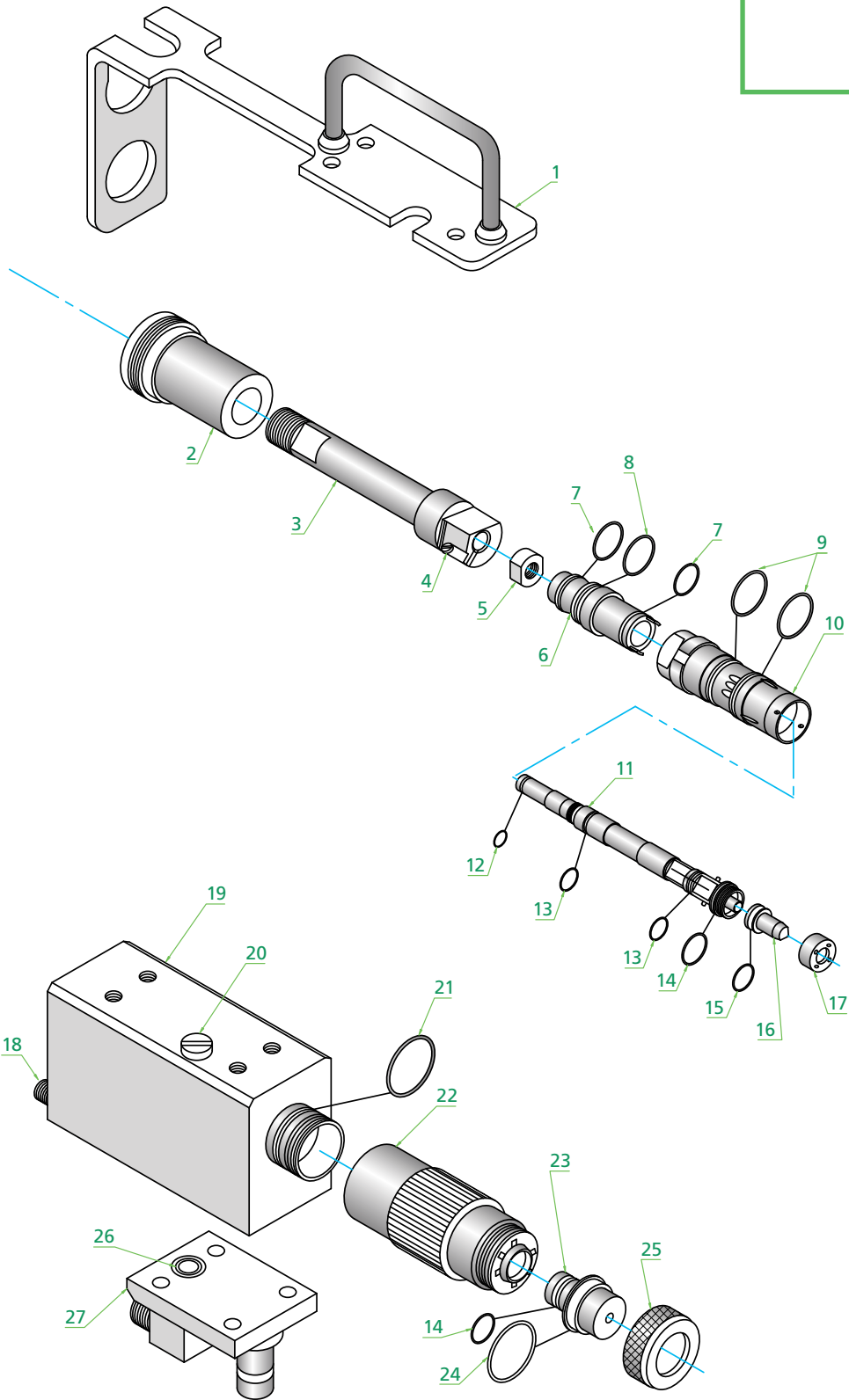
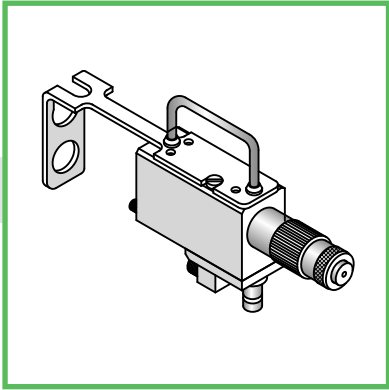
# 3MBT-90° Plasma Gun



<b>3MBT-30° / 3MBT-90° PLASMA GUNS</b>			
<b>Pos.</b>	<b>FST p/n</b>	<b>Product Description</b>	<b>OEM / Remark</b>
25	304.011	Nozzle locking ring	3M 190
26	304.116	Screw	
27	304.117	Clamp, single powder port, with air jet	
28	304.012	Screw, rear gun body	3M 192
29	381.136	Locking screw	3M 327
30	304.118	Air jet nozzle	
31	381.020-01	#2 Powder port assembly	3M325
	381.001	Powder port stem	3M202
	381.021	#2 Tip	3M210A
	381.022-01	#2 Mounting block	3M211A
32	304.119-01	Air tube / Powder tube, 18"	
	304.119-02	Air tube / Powder tube, 24"	
	304.120-01	Air tube / Powder tube, 18", 30 degrees	
	304.120-02	Air tube / Powder tube, 24", 30 degrees	
33	304.121	Tube mounting bracket	
34	304.055-04	Electrode hose & cable assembly, negative, 5 ft.	3M-395
35	304.054-04	Nozzle hose & cable assembly, positive, 5 ft.	3M-394
<b>OTHERS</b>			
	381.010-01	#1 Powder Port Assembly	3M320
	381.030-01	#3 Powder Port Assembly	3M330
	381.040-01	#4 Powder Port Assembly	3M350
	381.050-01	#5 Powder Port Assembly	3M245
	381.060-01	#6 Powder Port Assembly	3M285
		Clamp, single powder port, no air jet	
		Clamp, dual powder port, no air jet	
<b>CABLES, HOSES, FITTINGS</b>			
	304.053-01	Plasma gas hose assembly, 20 ft.	3M 336
	304.053-02	Plasma gas hose assembly, 15 ft.	3M 336
	304.054-01	Nozzle hose & cable assembly, positive, 20 ft.	3M-394
	304.054-02	Nozzle hose & cable assembly, positive, 15 ft.	3M-394
	304.055-01	Electrode hose & cable assembly, negative, 20 ft.	3M-395
	304.055-02	Electrode hose & cable assembly, negative, 15 ft.	3M-395
	500.032-01	4MP Powder Hose (15ft)	
	500.032-02	4MP Powder Hose (20ft)	
	500.032-03	4MP Powder Hose (30ft)	
	500.032-05	4MP Powder Hose Orange(15ft)	
	500.032-06	4MP Powder Hose Orange(25ft)	
		<b>Other lengths available on request</b>	

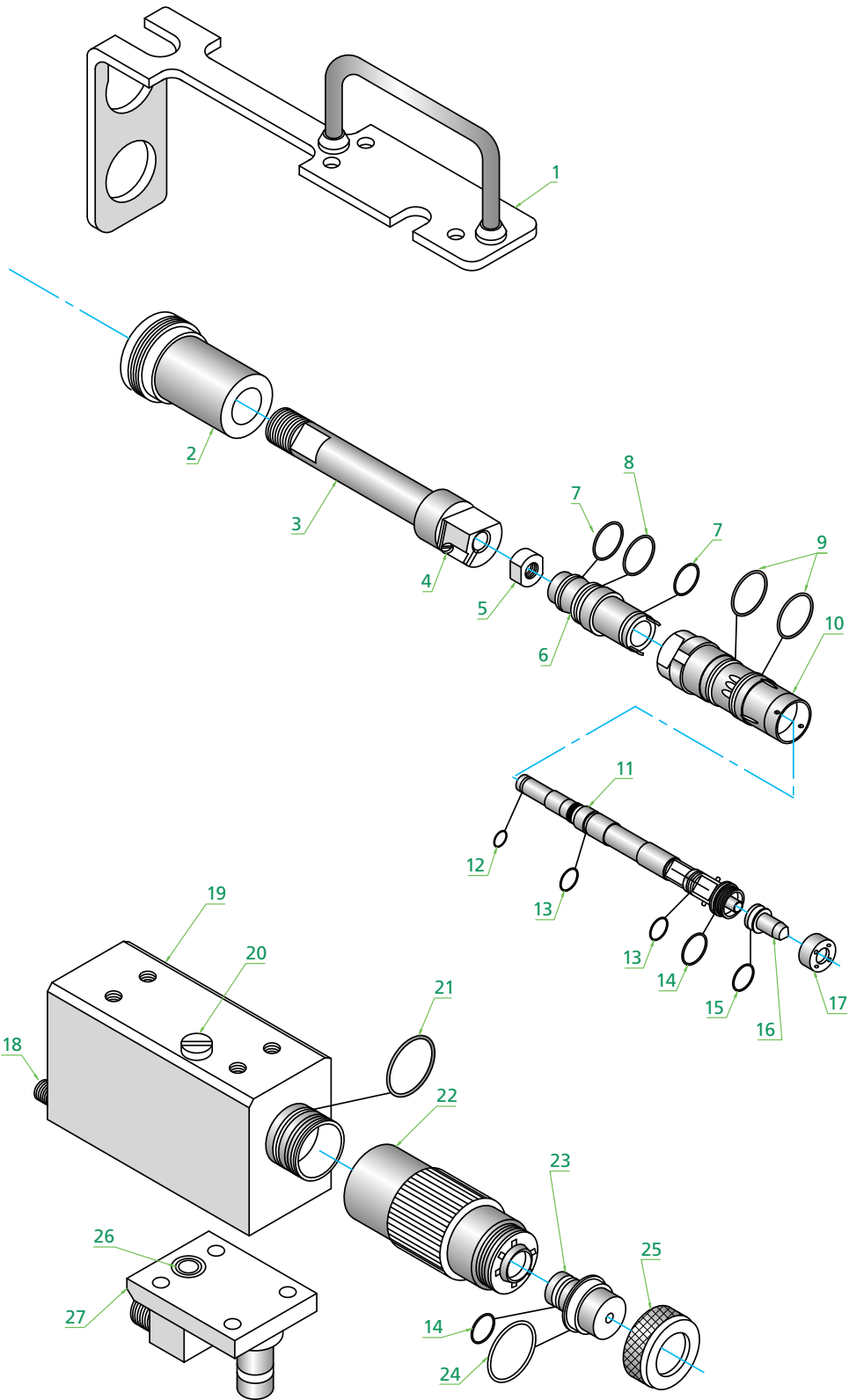


**9MB Plasma Gun (machine mounted)**



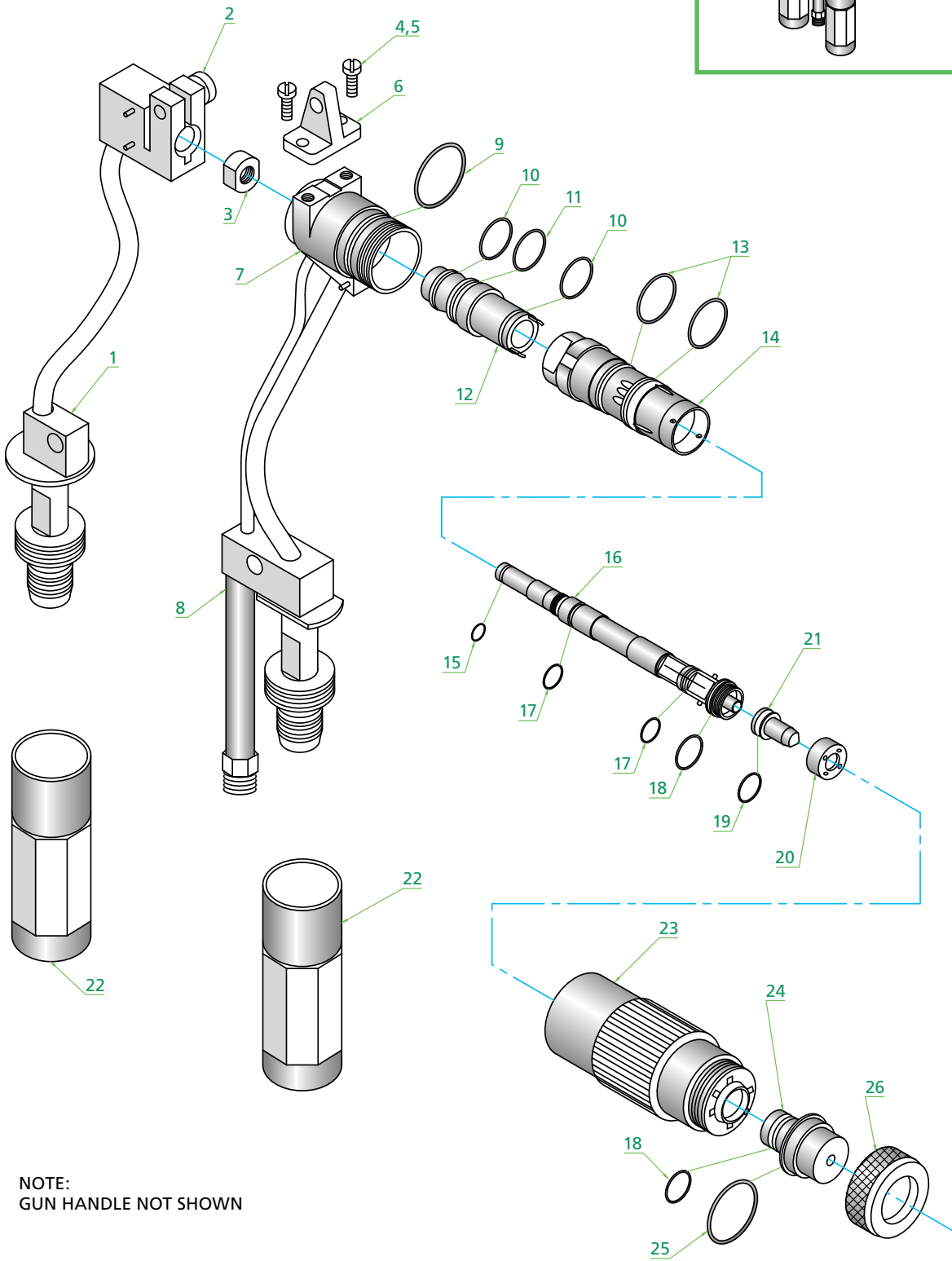
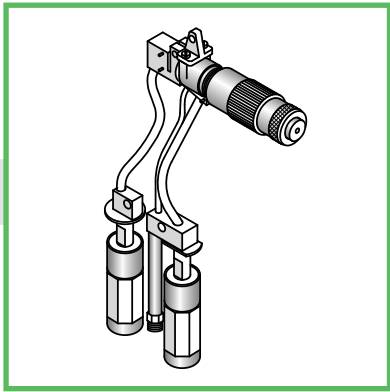
<b>9MB PLASMA GUN (machine mounted)</b>			
Pos.	FST p/n	Product Description	OEM / Remark
	<b>306.000-01</b>	Complete 9MB Plasma gun, machine mounted	Machine mounted version
1	<b>306.090</b>	Cable support strap assembly	9MB 301
2	<b>306.067</b>	Locking ring assembly	9MB 142
3	<b>306.064</b>	Electrode holder clamp & hose fitting	9MB 135
4	<b>306.065</b>	Screw, electrode holder clamp	9MB 138
5	<b>306.018</b>	Electrode holder nut	9MB 17
6	<b>306.069</b>	Rear insulator	9MB 166
7	<b>306.021</b>	O-Ring, rear insulator	9MB 21
8	<b>306.033</b>	O-Ring, insulator, rear	9MB 46
9	<b>306.087</b>	O-Ring, front insulator	9MB 296
10	<b>306.035</b>	Front insulator assembly, 2-hole argon	9MB 50, including O-Rings
	<b>306.039</b>	Front insulator assembly, nitrogen	9MB 55, including O-Rings
	<b>306.155</b>	Front insulator assembly, 6-hole argon	9MB 60, including O-Rings
11	<b>306.019</b>	Electrode holder assembly	9MB 18
12	<b>306.043</b>	O-Ring, electrode holder	9MB 56
13	<b>306.038</b>	O-Ring, electrode holder	9MB 52
14	<b>306.060</b>	O-Ring, electrode holder, rear insulator, nozzle	9MB 111
15	<b>306.037</b>	O-Ring, electrode	9MB 51
16	<b>306.047</b>	Electrode	9MB 63, including O-Ring
17	<b>306.016</b>	Electrode locking nut	9MB 14
18	<b>306.074</b>	Hose fitting (plasma gas)	9MB 208
19	<b>306.030</b>	Base Sub. assembly, machine mount	9MB 37
20	<b>306.031</b>	Plug screw	9MB 38
21	<b>306.025</b>	O-Ring, machine mount base	9MB 29
22	<b>306.017</b>	Gun water channeling head	9MB 15, including 9MB 297
23	<b>380.100-01</b>	"G" nozzle	3M7-G, 7M7-G, 9MB7-G
	<b>380.100-02</b>	"G" nozzle with tungsten insert	3M7-G, 7M7-G, 9MB7-G
	<b>380.101-01</b>	"GE" nozzle	3M7-GE, 7M7-GE, 9MB7-GE
	<b>380.101-02</b>	"GE" nozzle with tungsten insert	3M7-GE, 7M7-GE, 9MB7-GE
	<b>380.102-01</b>	"GH" nozzle	3M7-GH, 7M7-GH, 9MB7-GH
	<b>380.102-02</b>	"GH" nozzle with tungsten insert	3M7-GH, 7M7-GH, 9MB7-GH
	<b>380.103-01</b>	"GP" nozzle	3M7-GP, 7M7-GP, 9MB7-GP
	<b>306.005</b>	700 Nozzle assembly, std	9MB 700
	<b>306.164</b>	703 nozzle assembly	9MB 703
	<b>306.165</b>	704 nozzle assembly	9MB 704

## 9MB Plasma Gun (machine mounted)



<b>9MB PLASMA GUN (machine mounted)</b>			
Pos.	FST p/n	Product Description	OEM / Remark
	<b>306.166</b>	705 nozzle assembly	9MB 705
	<b>306.167</b>	706 nozzle assembly	9MB 706
	<b>306.168</b>	707 nozzle assembly	9MB 707
24	<b>306.044</b>	O-Ring, nozzle, large	9MB 57
25	<b>306.015</b>	Nozzle nut	9MB 8
26	<b>306.086</b>	O-Ring, valve, small	9MB 295
27	<b>306.097</b>	Hose fitting & mounting stud assembly	9MB 335
<b>OTHERS</b>			
	<b>306.088</b>	O-Ring, water channeling head	9MB 297
	<b>306.106</b>	Electrode & Insulator assembly	9MB 693, 2-hole argon
	<b>306.107</b>	Electrode & Insulator assembly	9MB 694, nitrogen
	<b>306.079</b>	Lock washer, cable support strap assembly	9MB 221
	<b>306.099</b>	Screw, cable support strap assembly	9MB 453
<b>CABLES, HOSES, FITTINGS</b>			
	<b>380.024-01</b>	Plasma gun power cable (negative), 20 ft	7MH20-20, for 7M/9M gun, length 20 ft
	<b>380.024-02</b>	Plasma gun power cable (negative), 15 ft	7MH20-15, for 7M/9M gun, length 15 ft
	<b>380.026-01</b>	Plasma gun power cable (positive), 20 ft	7MH10-20, for 7M/9M gun, length 20 ft
	<b>380.026-02</b>	Plasma gun power cable (positive), 15 ft	7MH10-15, for 7M/9M gun, length 15 ft
	<b>380.025-01</b>	Plasma gas hose assembly 20 ft	7MH50-20, for 7M/9M gun, length 20 ft
	<b>380.025-02</b>	Plasma gas hose assembly 15 ft	7MH50-15, for 7M/9M gun, length 15 ft
	<b>380.027-01</b>	Plasma gun power cable set (positive/negative)	length 5 m
	<b>380.027-02</b>	Plasma gun power cable set (positive/negative)	length 6 m
	<b>380.027-03</b>	Plasma gun power cable set (positive/negative)	length 10 m
	<b>380.027-04</b>	Plasma gun power cable set (positive/negative)	length 8 m
	<b>500.032-01</b>	4MP Powder Hose (15ft)	
	<b>500.032-02</b>	4MP Powder Hose (20ft)	
	<b>500.032-03</b>	4MP Powder Hose (30ft)	
	<b>500.032-05</b>	4MP Powder Hose Orange(15ft)	
	<b>500.032-06</b>	4MP Powder Hose Orange(25ft)	
		<b>Other lengths available on request</b>	

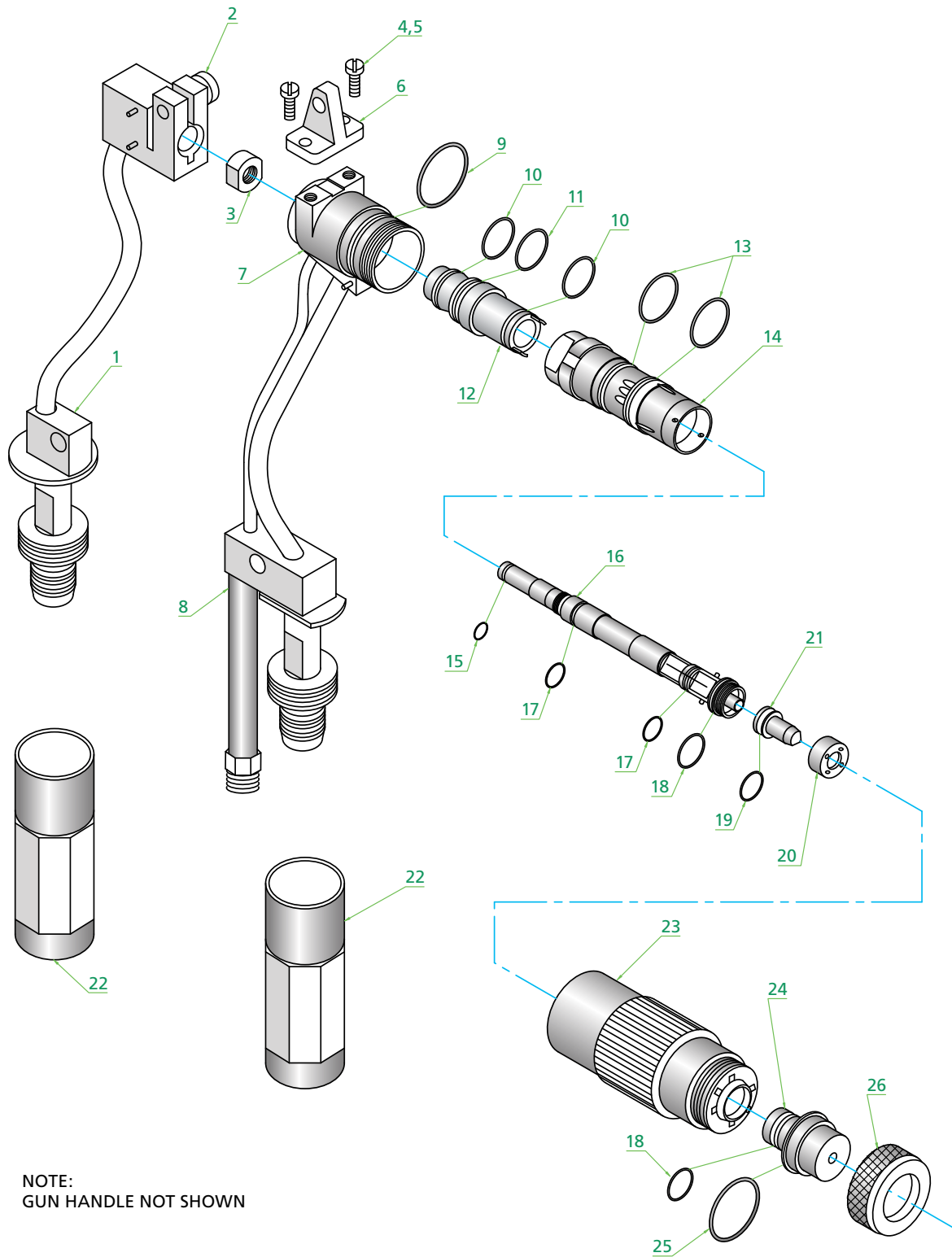
# 9MB Plasma Gun (hand held)



NOTE:  
GUN HANDLE NOT SHOWN

<b>9MB PLASMA GUN (hand held)</b>			
<b>Pos.</b>	<b>FST p/n</b>	<b>Product Description</b>	<b>OEM / Remark</b>
	<b>306.000-02</b>	Complete 9MB Plasma gun, hand held	Handheld version
1	<b>306.026</b>	Rear gun body assembly	9MB 30
2	<b>305.015</b>	Screw, clamp	9MB 670
3	<b>306.018</b>	Electrode holder nut	9MB 17
4	<b>306.169</b>	Screw, support bracket mounting	9MB 115
5	<b>306.062</b>	Lock washer, support bracket screw	9MB 121
6	<b>306.057</b>	Support bracket	9MB 95
7	<b>306.024</b>	Front gun body assembly	9MB 25, for handheld version
8	<b>306.045</b>	Hose assembly, front gun body	9MB 58
9	<b>306.025</b>	O-Ring, front gun body	9MB 29
10	<b>306.021</b>	O-Ring, rear insulator	9MB 21
11	<b>306.033</b>	O-Ring, insulator, rear	9MB 46
12	<b>306.069</b>	Rear insulator	9MB 166
13	<b>306.087</b>	O-Ring, front insulator	9MB 296
14	<b>306.035</b>	Front insulator assembly, 2-hole argon	9MB 50, including O-Rings
	<b>306.039</b>	Front insulator assembly, nitrogen	9MB 55, including O-Rings
	<b>306.155</b>	Front insulator assembly, 6-hole argon	9MB 60, including O-Rings
15	<b>306.043</b>	O-Ring, electrode holder	9MB 56
16	<b>306.019</b>	Electrode holder assembly	9MB 18
17	<b>306.038</b>	O-Ring, electrode holder	9MB 52
18	<b>306.060</b>	O-Ring, electrode holder, rear insulator, nozzle	9MB 111
19	<b>306.037</b>	O-Ring, electrode	9MB 51
20	<b>306.016</b>	Electrode locking nut	9MB 14
21	<b>306.047</b>	Electrode	9MB 63, including O-Ring
22	<b>306.027</b>	Insulator, water cooled cable	9MB 32
23	<b>306.017</b>	Gun water channeling head	9MB 15, including O-Ring
24	<b>380.100-01</b>	"G" nozzle	3M7-G, 7M7-G, 9MB7-G
	<b>380.100-02</b>	"G" nozzle with tungsten insert	3M7-G, 7M7-G, 9MB7-G
	<b>380.101-01</b>	"GE" nozzle	3M7-GE, 7M7-GE, 9MB7-GE
	<b>380.101-02</b>	"GE" nozzle with tungsten insert	3M7-GE, 7M7-GE, 9MB7-GE
	<b>380.102-01</b>	"GH" nozzle	3M7-GH, 7M7-GH, 9MB7-GH
	<b>380.102-02</b>	"GH" nozzle with tungsten insert	3M7-GH, 7M7-GH, 9MB7-GH
	<b>380.103-01</b>	"GP" nozzle	3M7-GP, 7M7-GP, 9MB7-GP
	<b>306.005</b>	700 Nozzle assembly	9MB 700
	<b>306.164</b>	703 nozzle assembly	9MB 703
	<b>306.165</b>	704 nozzle assembly	9MB 704

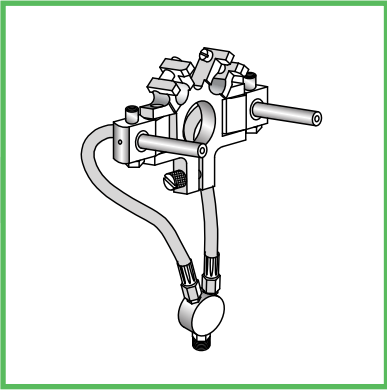
## 9MB Plasma Gun (hand held)



NOTE:  
GUN HANDLE NOT SHOWN

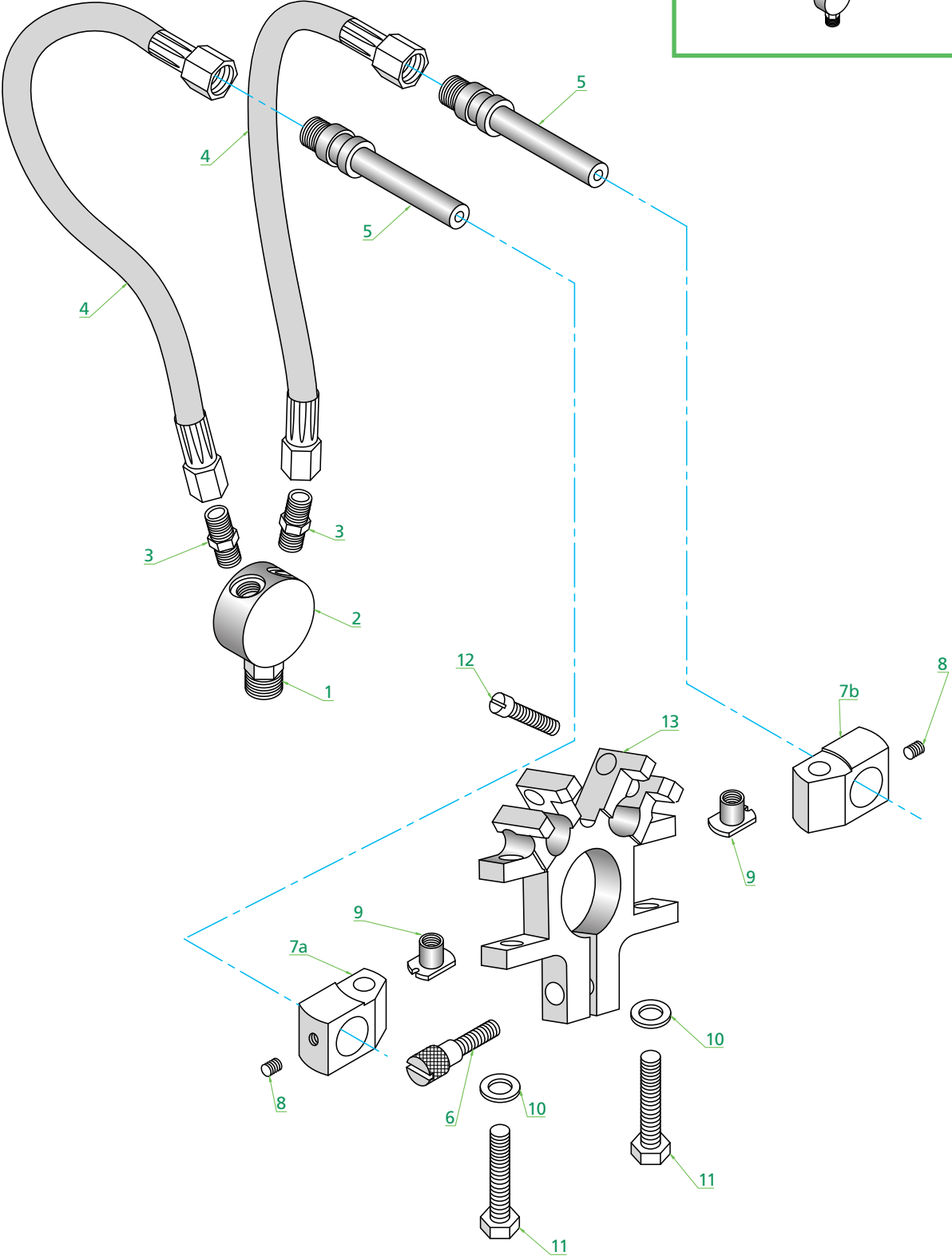
<b>9MB PLASMA GUN (hand held)</b>			
Pos.	FST p/n	Product Description	OEM / Remark
	<b>306.166</b>	705 nozzle assembly	9MB 705
	<b>306.167</b>	706 nozzle assembly	9MB 706
	<b>306.168</b>	707 nozzle assembly	9MB 707
25	<b>306.044</b>	O-Ring, nozzle, large	9MB 57
26	<b>306.015</b>	Nozzle nut	9MB 8
<b>OTHERS</b>			
	<b>306.148</b>	Gun handle assembly	9MB 575
	<b>306.088</b>	O-Ring, water channeling head	9MB 297
	<b>306.106</b>	Electrode & Insulator assembly	9MB 693, 2-hole argon
	<b>306.107</b>	Electrode & Insulator assembly	9MB 694, nitrogen
<b>CABLES, HOSES, FITTINGS</b>			
	<b>380.024-01</b>	Plasma gun power cable (negative), 20 ft	7MH20-20, for 7M/9M gun, length 20 ft
	<b>380.024-02</b>	Plasma gun power cable (negative), 15 ft	7MH20-15, for 7M/9M gun, length 15 ft
	<b>380.026-01</b>	Plasma gun power cable (positive), 20 ft	7MH10-20, for 7M/9M gun, length 20 ft
	<b>380.026-02</b>	Plasma gun power cable (positive), 15 ft	7MH10-15, for 7M/9M gun, length 15 ft
	<b>380.025-01</b>	Plasma gas hose assembly 20 ft	7MH50-20, for 7M/9M gun, length 20 ft
	<b>380.025-02</b>	Plasma gas hose assembly 15 ft	7MH50-15, for 7M/9M gun, length 15 ft
	<b>380.027-01</b>	Plasma gun power cable set (positive/negative)	length 5 m
	<b>380.027-02</b>	Plasma gun power cable set (positive/negative)	length 6 m
	<b>380.027-03</b>	Plasma gun power cable set (positive/negative)	length 10 m
	<b>380.027-04</b>	Plasma gun power cable set (positive/negative)	length 8 m
	<b>500.032-01</b>	4MP Powder Hose (15ft)	
	<b>500.032-02</b>	4MP Powder Hose (20ft)	
	<b>500.032-03</b>	4MP Powder Hose (30ft)	
	<b>500.032-05</b>	4MP Powder Hose Orange(15ft)	
	<b>500.032-06</b>	4MP Powder Hose Orange(25ft)	
		<b>Other lengths available on request</b>	





# Dual Powder Feed Assembly - Type 1

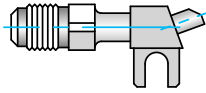
(with air jet)



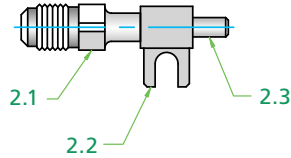
<b>DUAL POWDER FEED ASSEMBLY (WITH AIR JET) – Type 1</b>			
<b>Pos.</b>	<b>FST p/n</b>	<b>Product Description</b>	<b>OEM / Remark</b>
	<b>381.121</b>	Dual powder feed assembly (with air jet)	3M780A / 7M80 / 9MB80
1	<b>381.131</b>	Hose connection, large	3M42A / 7M20 / 9MB20
2	<b>381.132</b>	Wye, body only	3M41A
3	<b>381.133</b>	Hose connection, small	7M22 / 9MB22
4	<b>381.134</b>	Jet hose assembly	3M35A / 7M140 / 9MB140
5	<b>381.135</b>	Jet air nozzle	3M30A / 7M85 / 9MB85
6	<b>381.136</b>	Locking screw	3M327A / 7M327 / 9MB327
7a	<b>381.137-01</b>	Pivot block, left	7M82 / 9MB82
7b	<b>381.137-02</b>	Pivot block, right	7M83 / 9MB83
8	<b>381.138</b>	Jet set screw	3M31A / 7M87
9	<b>381.139</b>	Pivot block nut	3M86A / 7M86 / 9MB86
10	<b>381.140</b>	Pivot block washer	7M146
11	<b>381.141</b>	Screw, pivot block	3M5A / 7M84
12	<b>381.143</b>	Screw, powder port lock	3M43A / 7M45 / 9MB45
13	<b>381.101</b>	Dual powder port clamp (with air jet)	3M781A / 7M81 / 9MB81
	<b>381.130</b>	Wye assembly	7M35 / 9MB35
	<b>381.137</b>	Pivot block set	3M26A

## Powder Port Assemblies - Type 1

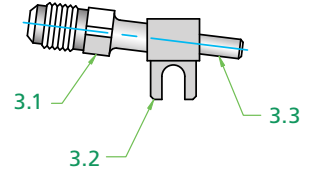
#1 Powder Port Assembly



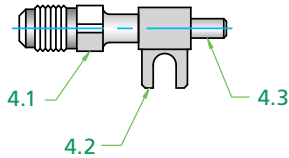
#2 Powder Port Assembly



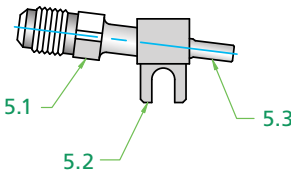
#3 Powder Port Assembly



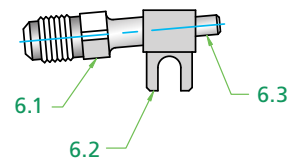
#4 Powder Port Assembly



#5 Powder Port Assembly

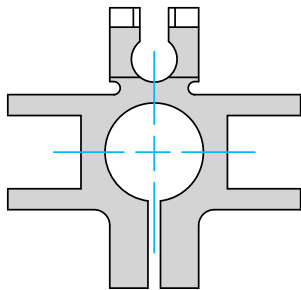


#6 Powder Port Assembly



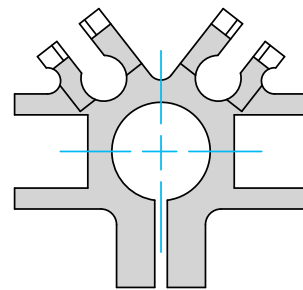
## Clamps - Type 1

SINGLE CLAMP WITH AIR JET



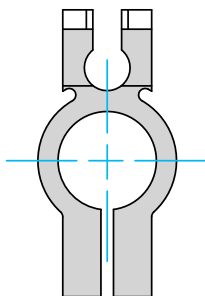
381.100

DUAL CLAMP WITH AIR JET



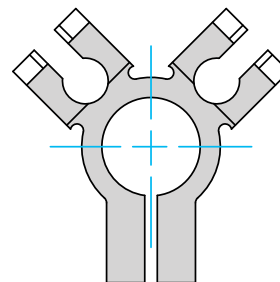
381.101

SINGLE CLAMP NO AIR JET



381.102

DUAL CLAMP NO AIR JET

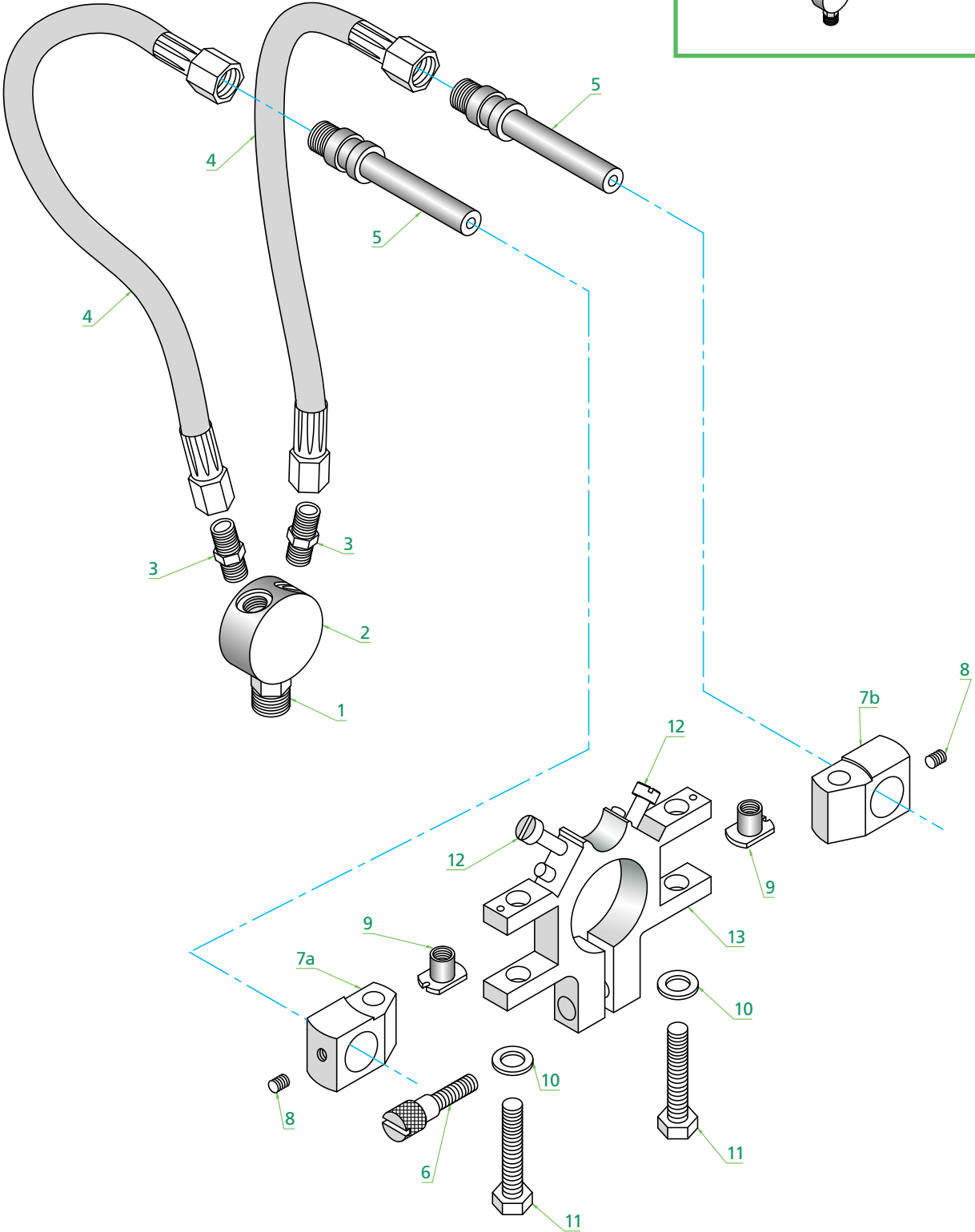
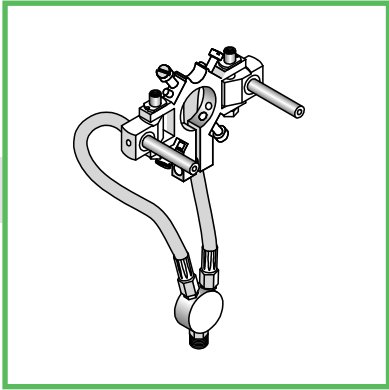


381.103

<b>POWDER PORT ASSEMBLIES - Type 1</b>			
<b>Pos.</b>	<b>FST p/n</b>	<b>Product Description</b>	<b>OEM / Remark</b>
#1	<b>381.010-01</b>	#1 Powder Port Assembly	3M320A / 7M320 / 9MB320
#2	<b>381.020-01</b>	#2 Powder Port Assembly	3M325A / 7M325 / 9MB325
2.1	<b>381.001</b>	Powder Port Stem	3M202 / 7M202 / 9MB202
2.2	<b>381.022-01</b>	#2 Mounting Block	3M211A / 7M211 / 9MB211
2.3	<b>381.021</b>	#2 Tip	3M210A / 7M210 / 9MB210
#3	<b>381.030-01</b>	#3 Powder Port Assembly	3M330A / 7M330 / 9MB330
3.1	<b>381.001</b>	Powder Port Stem	3M202 / 7M202 / 9MB202
3.2	<b>381.032-01</b>	#3 Mounting Block	3M204A / 7M204 / 9MB204
3.3	<b>381.031</b>	#3 Tip	3M203A / 7M203 / 9MB203
#4	<b>381.040-01</b>	#4 Powder Port Assembly	3M350A / 7M300 / 9MB300
4.1	<b>381.001</b>	Powder Port Stem	3M202 / 7M202 / 9MB202
4.2	<b>381.042-01</b>	#4 Mounting Block	3M216A / 7M216 / 9MB216
4.3	<b>381.041</b>	#4 Tip	3M215A / 7M215 / 9MB215
#5	<b>381.050-01</b>	#5 Powder Port Assembly	3M245A / 7M245 / 9MB245
5.1	<b>381.001</b>	Powder Port Stem	3M202 / 7M202 / 9MB202
5.2	<b>381.052-01</b>	#5 Mounting Block	3M247A / 7M247 / 9MB247
5.3	<b>381.051</b>	#5 Tip	3M246A / 7M246 / 9MB246
#6	<b>381.060-01</b>	#6 Powder Port Assembly	3M285A / 7M285 / 9MB285
6.1	<b>381.001</b>	Powder Port Stem	3M202 / 7M202 / 9MB202
6.2	<b>381.062-01</b>	#6 Mounting Block	3M287A / 7M287 / 9MB287
6.3	<b>381.061</b>	#6 Tip	3M286A / 7M286 / 9MB288
<b>CLAMPS - Type 1</b>			
	<b>381.100</b>	Single powder port clamp (with air jet)	3M661A / 7M661 / 9MB661
	<b>381.101</b>	Dual powder port clamp (with air jet)	3M781A / 7M81 / 9MB81
	<b>381.102</b>	Single powder port clamp (no air jet)	3M315A / 7M315 / 9MB315
	<b>381.103</b>	Dual powder port clamp (no air jet)	3M342A / 7M302 / 9MB302

# Dual Powder Feed Assembly - Type 2

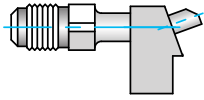
(with air jet)



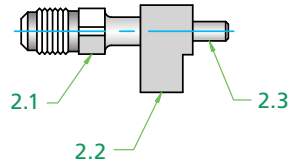
<b>DUAL POWDER FEED ASSEMBLY (WITH AIR JET) – Type 2</b>			
<b>Pos.</b>	<b>FST p/n</b>	<b>Product Description</b>	<b>OEM / Remark</b>
	<b>381.122</b>	Dual powder feed assembly (with air jet)	9MB952
1	<b>381.131</b>	Hose connection, large	3M42A / 7M20 / 9MB20
2	<b>381.132</b>	Wye, body only	3M41A
3	<b>381.133</b>	Hose connection, small	7M22 / 9MB22
4	<b>381.134</b>	Jet hose assembly	3M35A / 7M140 / 9MB140
5	<b>381.135</b>	Jet air nozzle	3M30A / 7M85 / 9MB85
6	<b>381.136</b>	Locking screw	3M327A / 7M327 / 9MB327
7a	<b>381.137-01</b>	Pivot block, left	7M82 / 9MB82
7b	<b>381.137-02</b>	Pivot block, right	7M83 / 9MB83
8	<b>381.138</b>	Jet set screw	3M31A / 7M87
9	<b>381.139</b>	Pivot block nut	3M86A / 7M86 / 9MB86
10	<b>381.140</b>	Pivot block washer	7M146
11	<b>381.141</b>	Screw, pivot block	3M5A / 7M84
12	<b>381.142</b>	Screw, mounting block	9MB962
13	<b>381.112</b>	Dual powder port clamp (with air jet)	9MB953
	<b>381.130</b>	Wye assembly	7M35 / 9MB35
	<b>381.137</b>	Pivot block set	3M26A

## Powder Port Assemblies - Type 2

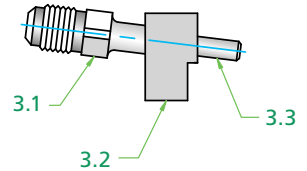
#1 Powder Port Assembly



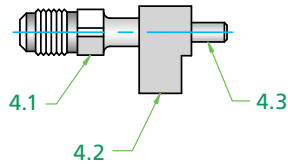
#2 Powder Port Assembly



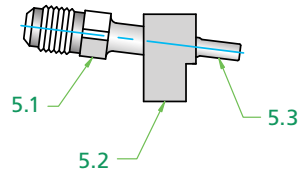
#3 Powder Port Assembly



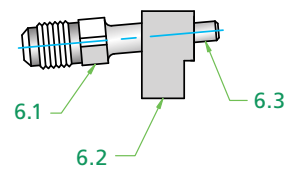
#4 Powder Port Assembly



#5 Powder Port Assembly

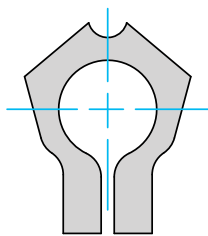


#6 Powder Port Assembly



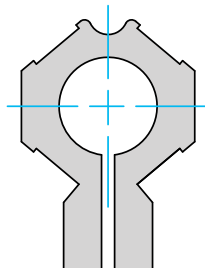
## Clamps - Type 2

DUAL CLAMP NO AIR JET



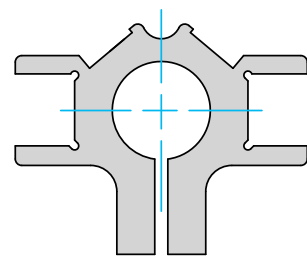
381.110

QUAD CLAMP NO AIR JET



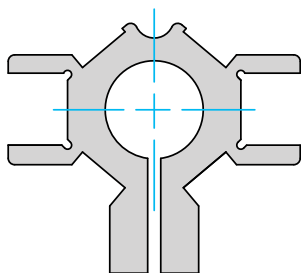
381.111

DUAL CLAMP WITH AIR JET



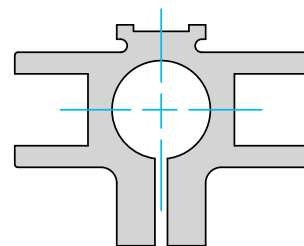
381.112

QUAD CLAMP WITH AIR JET



381.113

SINGLE CLAMP WITH AIR JET

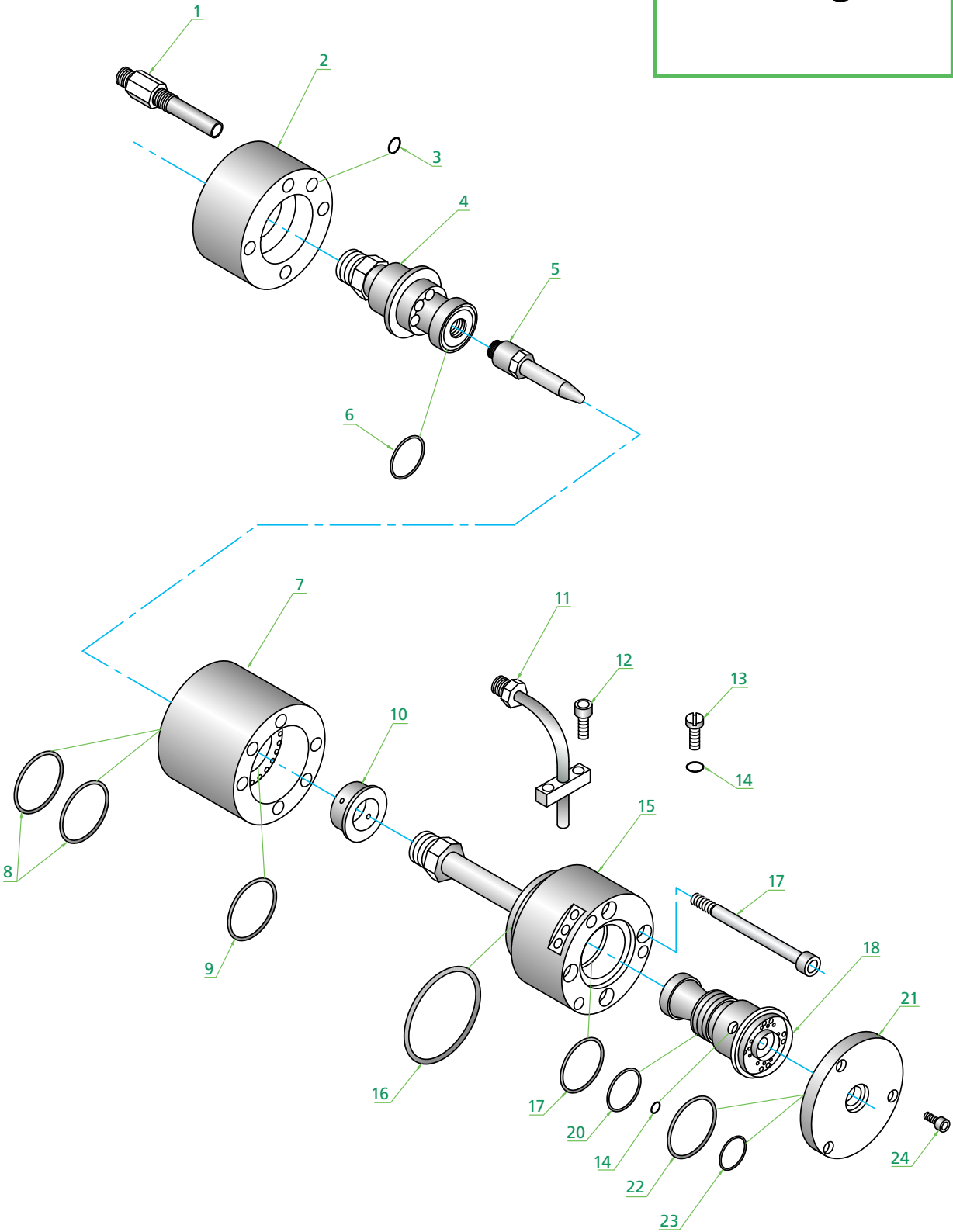
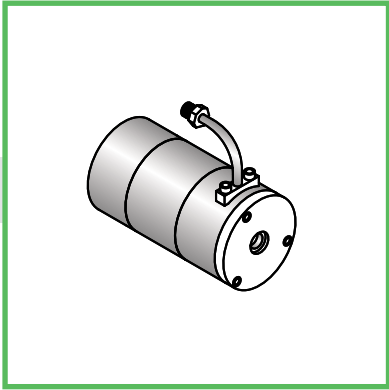


381.114

<b>POWDER PORT ASSEMBLIES - Type 2</b>			
<b>Pos.</b>	<b>FST p/n</b>	<b>Product Description</b>	<b>OEM / Remark</b>
#1	<b>381.010-02</b>	#1 Powder Port Assembly	9MB971
#2	<b>381.020-02</b>	#2 Powder Port Assembly	9MB972
2.1	<b>381.001</b>	Powder Port Stem	3M202 / 7M202 / 9MB202
2.2	<b>381.022-02</b>	#2 Mounting Block	9MB982
2.3	<b>381.021</b>	#2 Tip	3M210A / 7M210 / 9MB210
#3	<b>381.030-02</b>	#3 Powder Port Assembly	9MB973
3.1	<b>381.001</b>	Powder Port Stem	3M202 / 7M202 / 9MB202
3.2	<b>381.032-02</b>	#3 Mounting Block	9MB983
3.3	<b>381.031</b>	#3 Tip	3M203A / 7M203 / 9MB203
#4	<b>381.040-02</b>	#4 Powder Port Assembly	9MB974
4.1	<b>381.001</b>	Powder Port Stem	3M202 / 7M202 / 9MB202
4.2	<b>381.042-02</b>	#4 Mounting Block	9MB984
4.3	<b>381.041</b>	#4 Tip	3M215A / 7M215 / 9MB215
#5	<b>381.050-02</b>	#5 Powder Port Assembly	9MB975
5.1	<b>381.001</b>	Powder Port Stem	3M202 / 7M202 / 9MB202
5.2	<b>381.052-02</b>	#5 Mounting Block	9MB985
5.3	<b>381.051</b>	#5 Tip	3M246A / 7M246 / 9MB246
#6	<b>381.060-02</b>	#6 Powder Port Assembly	9MB976
6.1	<b>381.001</b>	Powder Port Stem	3M202 / 7M202 / 9MB202
6.2	<b>381.062-02</b>	#6 Mounting Block	9MB986
6.3	<b>381.061</b>	#6 Tip	3M286A / 7M286 / 9MB288
<b>CLAMPS - Type 2</b>			
	<b>381.110</b>	Dual powder port clamp (no air jet)	9MB961
	<b>381.111</b>	Quad powder port clamp (no air jet)	9MB964
	<b>381.112</b>	Dual powder port clamp (with air jet)	9MB953
	<b>381.113</b>	Quad powder port clamp (with air jet)	9MB951
	<b>381.114</b>	Single powder port clamp (with air jet)	9MB954

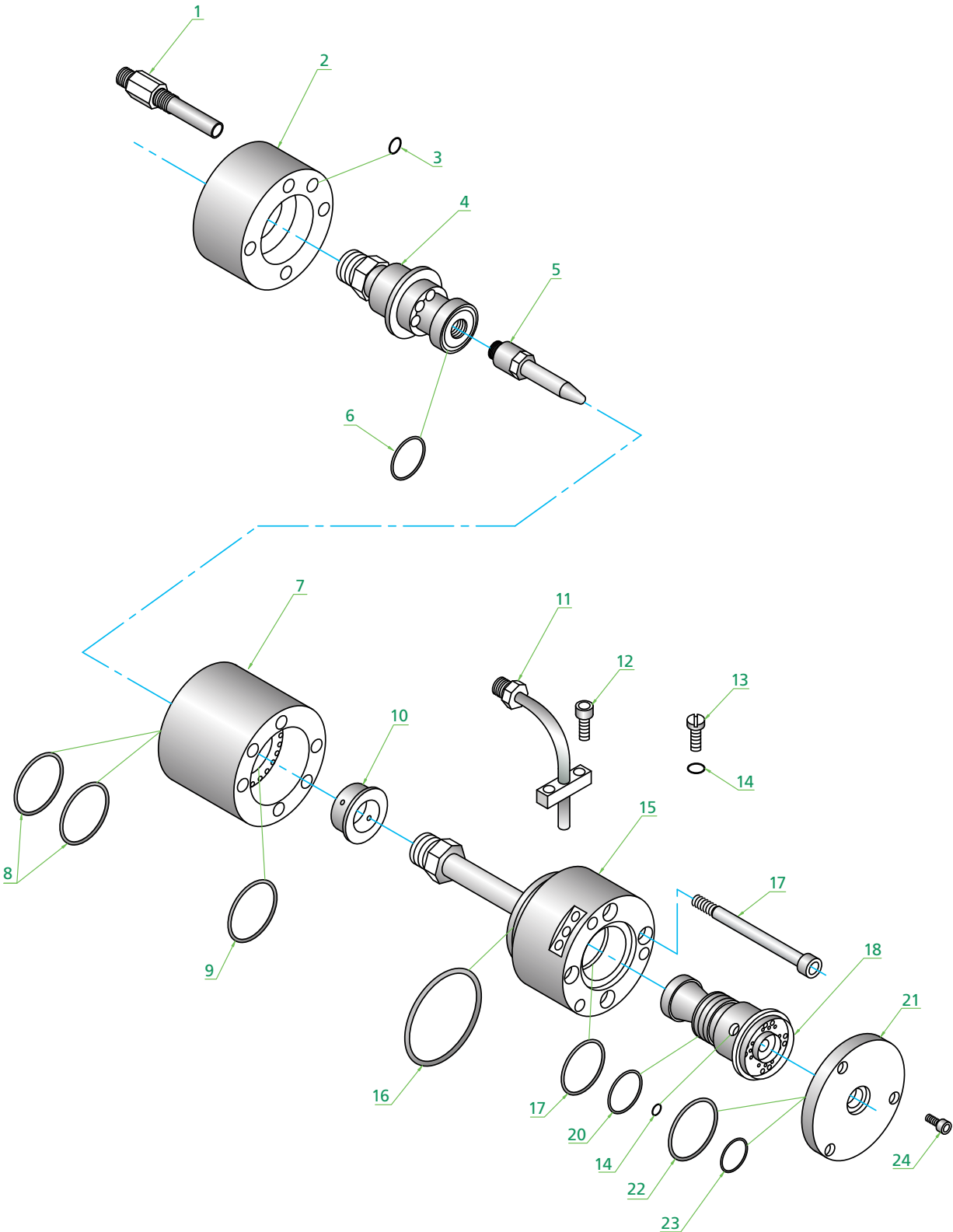


**SG-100 Plasma Gun**



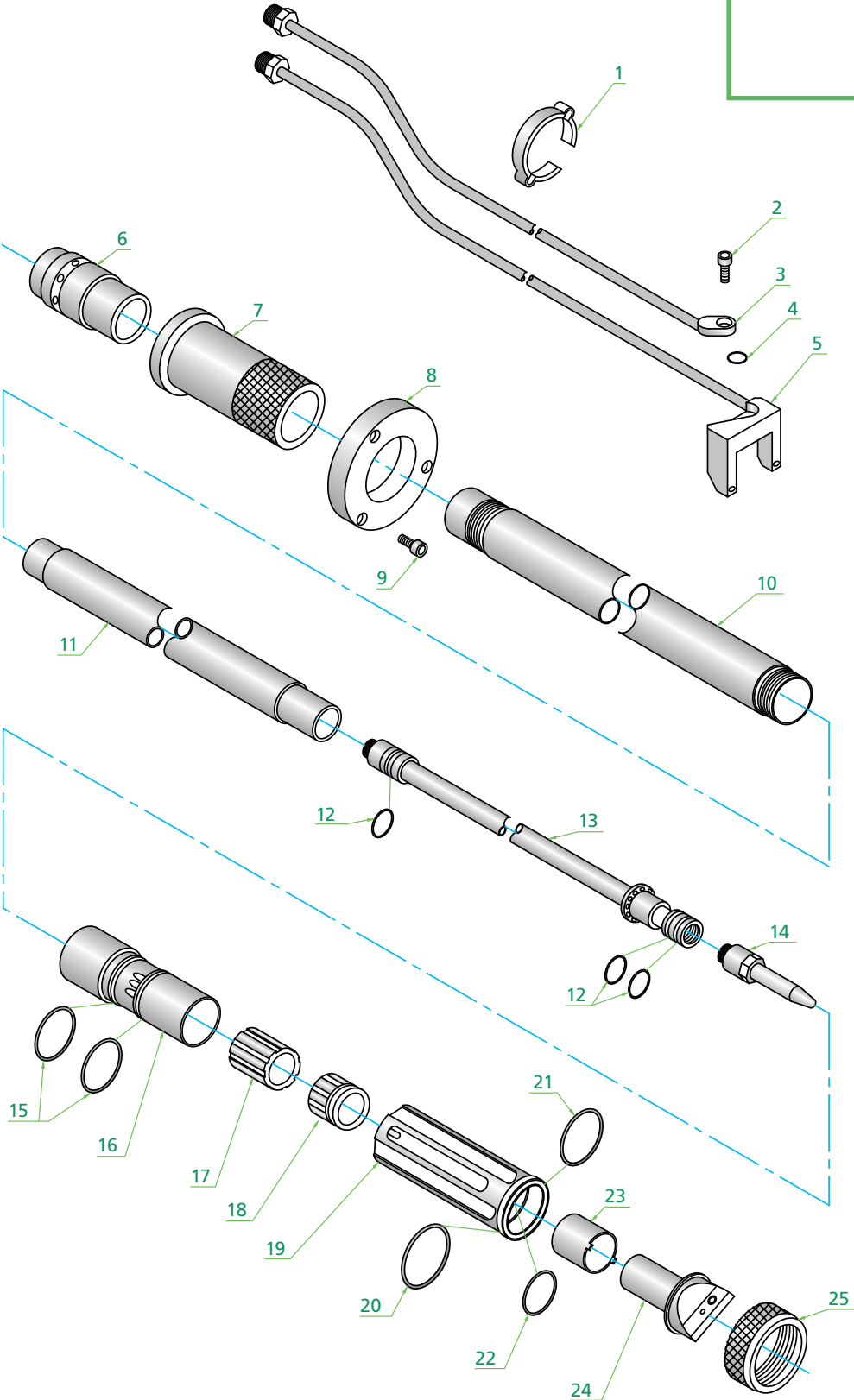
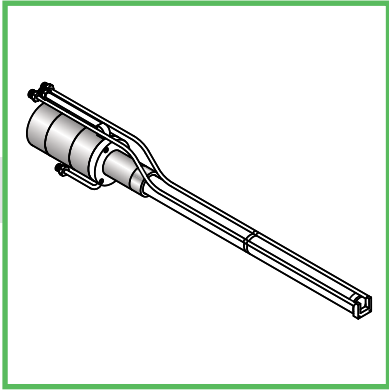
<b>SG-100 PLASMA GUN</b>			
Pos.	FST p/n	Product Description	OEM / Remark
	<b>307.000</b>	SG-100 Plasma Gun	–
1	<b>307.039</b>	Tube, arc gas port, assembly	1083-10
2	<b>307.038</b>	Gun housing, rear	1083B-205
3	<b>307.046</b>	O-Ring, rear housing	2-010S
4	<b>307.028</b>	Cathode holder	1083A-108, fine thread
5	<b>307.026</b>	Cathode, NVS	1083A-720, non-vortex stabilized
	<b>307.025</b>	Cathode, sub-sonic	3083-129
	<b>307.001</b>	Cathode, Mach 1	1083A-112
	<b>307.027</b>	Cathode, Mach 2	1083A-104
6	<b>307.065</b>	O-Ring, cathode holder	2-017S
7	<b>307.002</b>	Gun housing, middle, insulator	1083A-122N
8	<b>307.066</b>	O-Ring, middle housing	2-022S
9	<b>307.042</b>	O-Ring, middle housing	2-024S
10	<b>307.029</b>	Gas injector NVS, 4 Holes, all gases.	3083-112, non-vortex stabilized
	<b>307.007</b>	Gas Injector, Sub-sonic/Mach 1, CW vortex, 4 Holes, all gases	3083-113
	<b>307.030</b>	Gas injector, Mach 2, std (brown), CW vortex, 16 holes, all gases	3083-110
	<b>307.032</b>	Gas injector, Mach 2, CW vortex, 16 Holes, Ar-He only	1083A-110
	<b>307.033</b>	Gas injector, 8 hole, Laminar, put s at Hole(s), all gases	2083-112-8
	<b>307.031</b>	Gas injector, 8 hole, Laminar, put s at Hole(s), all gases	5003644
11	<b>307.036</b>	Tube, powder, straight	1083B-210
	<b>307.035</b>	Tube, powder, 90 deg.	5004378
12	<b>307.067</b>	Screw, powder tube	7000611
13	<b>307.040</b>	Plug, powder port	1083A-107A
14	<b>307.048</b>	O-Ring, nozzle / powder port plug	2-006S
15	<b>307.037</b>	Gun housing, front	1083B-200
16	<b>307.044</b>	O-Ring, front housing	2-128S
17	<b>307.068</b>	Screw, insulator housing	7000435
18	<b>307.013</b>	Anode, forward injection, NVS	2083-730, 20° front, non-vortex stabilized
	<b>307.023</b>	Anode, forward injection, sub-sonic	3083-145, 10° front
	<b>307.008</b>	Anode, backward injection, sub-sonic	3083-165, 10° back
	<b>307.021</b>	Anode, straight injection, sub-sonic	3083-175, 90°
	<b>307.022</b>	Anode, Mach 1	2083-355
	<b>307.014</b>	Anode, Mach 1	2083-358
	<b>307.005</b>	Anode, backward injection, Mach 1	2083-155, 10° back
	<b>307.017</b>	Anode, Mach 2, forward injection	2083-100, 10° front

# SG-100 Plasma Gun



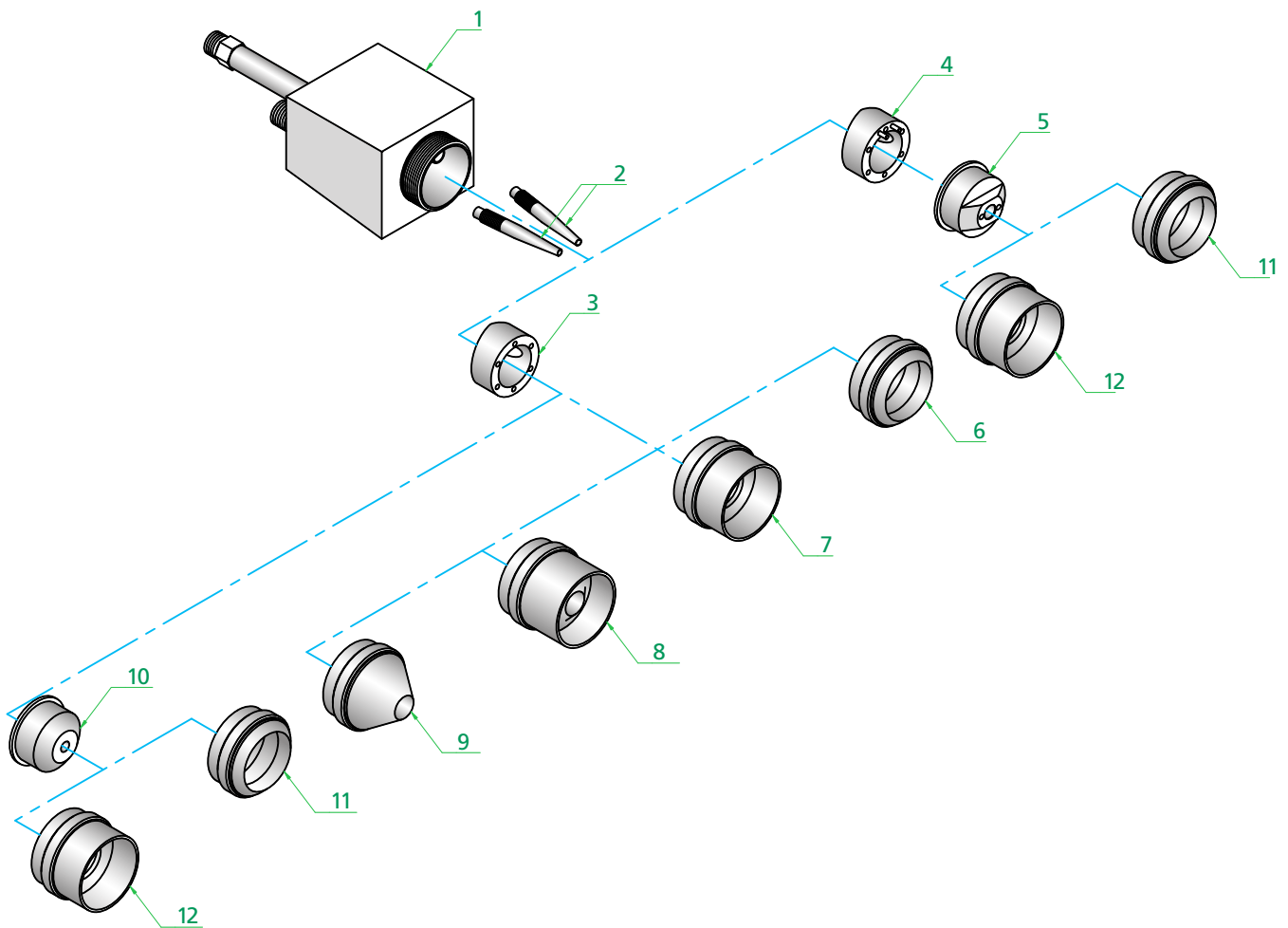
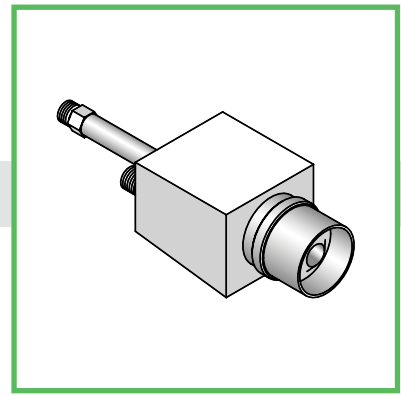
<b>SG-100 PLASMA GUN</b>			
<b>Pos.</b>	<b>FST p/n</b>	<b>Product Description</b>	<b>OEM / Remark</b>
	<b>307.016</b>	Anode, Mach 1, backward injection	2083-611, 10° back
	<b>307.024</b>	Anode, sub-sonic	2083-484
19	<b>307.043</b>	O-Ring, front housing	2-025S
20	<b>307.047</b>	O-Ring, nozzle	2-020S
21	<b>307.034</b>	Plate, front cover, standard	2083-123
22	<b>307.049</b>	O-Ring, front cover plate	2-026S
23	<b>307.045</b>	O-Ring, front cover plate	2-014S
24	<b>307.069</b>	Screw, front cover plate	7000422
<b>OTHERS</b>			
	<b>307.041</b>	O-Ring kit for SG-100	2083-601
	<b>307.081</b>	Anode hook	
	<b>307.082</b>	Cathode removal tool	
	<b>307.083</b>	Maintenance kit	
<b>CABLES AND HOSES</b>			
	<b>307.054-01</b>	Cable, water cooled, negative, 12 ft	987-7-12
	<b>307.055-01</b>	Cable, water cooled, positive, 12 ft	987-8-12
	<b>307.058-01</b>	Hose, gas powder, 12 ft	985-4-12
	<b>307.070-01</b>	Hose, gas, 12 ft	985-2-12
	<b>307.537</b>	Kit fittings SG100 to Metco	

**2086 SG-100 Plasma Gun Extension**



<b>2086 SG-100 PLASMA GUN EXTENSION</b>			
<b>Pos.</b>	<b>FST p/n</b>	<b>Product Description</b>	<b>OEM / Remark</b>
	<b>307.200-01</b>	2086 SG-100 extension, 12"	–
	<b>307.200-02</b>	2086 SG-100 extension, 24"	–
	<b>307.201-01</b>	SG-100 with 12" 2086 extension	–
	<b>307.201-02</b>	SG-100 with 24" 2086 extension	–
1	<b>307.202</b>	Tube clips	2084-95
2	<b>307.223</b>	Screw	–
3	<b>307.203-01</b>	Powder tube assembly, 12"	2084A-83-12
	<b>307.203-02</b>	Powder tube assembly, 24"	2084A-83-24
4	<b>307.048</b>	O-Ring, 006S	2-006S
5	<b>307.204-01</b>	Tube, air cap assembly, 12"	2084A-85-12
	<b>307.204-02</b>	Tube, air cap assembly, 24"	2084A-85-24
6	<b>307.205</b>	Insulator, rear	2084A-70
7	<b>307.206-01</b>	Collar, locking	2084-82
8	<b>307.207</b>	Plate, front	2084-81
9	<b>307.224</b>	Screw	–
10	<b>307.208-01</b>	Tube, outside, 12"	2084A-74-12
	<b>307.208-02</b>	Tube, outside, 24"	2084A-74-24
11	<b>307.209-01</b>	Tube, divider, 12"	2084A-75-12
	<b>307.209-02</b>	Tube, divider, 24"	2084A-75-24
12	<b>307.210</b>	O-Ring, 013S	2-013S
13	<b>307.211-01</b>	Cathode holder extension, 12"	2084A-76-12
	<b>307.211-02</b>	Cathode holder extension, 24"	2084A-76-24
14	<b>307.025</b>	Cathode, sub-sonic	3083-129, for SG-100/2086
15	<b>307.212</b>	O-Ring, 019S	2-019S
16	<b>307.213</b>	Gun housing, middle	2084B-100
17	<b>307.214</b>	Gas distributor	2084B-102
18	<b>307.215</b>	Gas injector	2084B-103
19	<b>307.216</b>	Water divider, outer	2084B-101
20	<b>307.066</b>	O-Ring, 022S	2-022S
21	<b>307.217</b>	O-Ring, 021S	2-021S
22	<b>307.065</b>	O-Ring, 017S	2-017S
23	<b>307.218</b>	Tube divider	2084-77
24	<b>307.219-01</b>	Anode, 45 deg.	2084-F45
	<b>307.219-02</b>	Anode, 60 deg.	2084-F60
25	<b>307.220</b>	Ring, locking, anode	2084-80
<b>OTHERS</b>			
	<b>307.221</b>	O-Ring kit for 2086 plasma gun	–

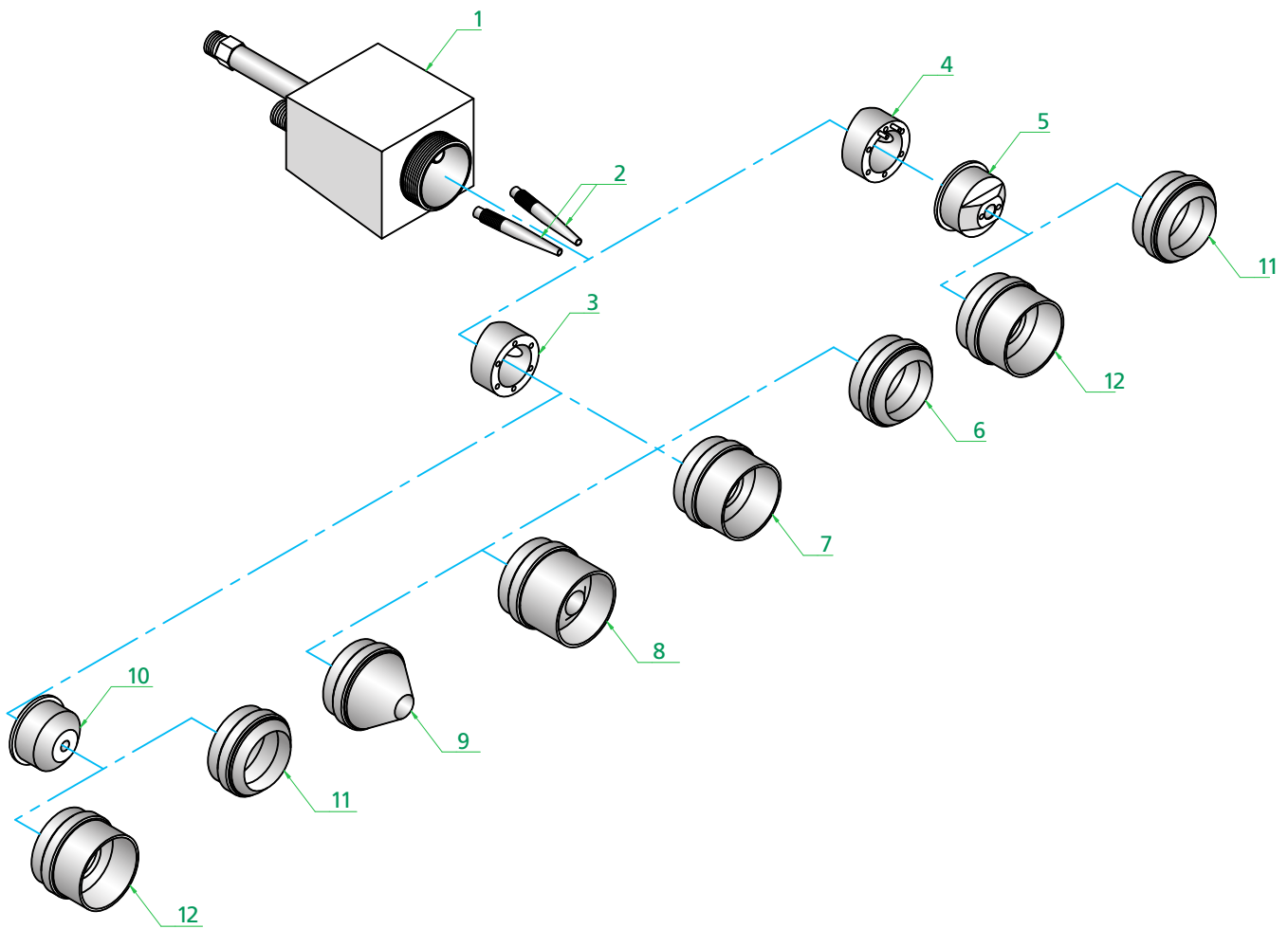
## AWS-400 Arc Wire Gun



<b>AWS-400 Arc Wire Gun</b>			
<b>Pos.</b>	<b>FST p/n</b>	<b>Product Description</b>	<b>OEM / Remark</b>
	<b>148.032</b>	Gunhead assembly standard	861000081-FAAA (only for 1,6-2,0-2,3 mm)
1	<b>148.031</b>	Gunhead, No Hardware 14-11GA	861000081-F (only for 1.6-2.0-2.3 mm)
2	<b>148.026</b>	Guide, wire, 14GA, 1,6 mm	840000308
	<b>148.014</b>	Guide, wire, 14GA, 1,6 mm, 85/15	840000282
	<b>148.027</b>	Guide, wire, 2 mm	840000375
	<b>148.015</b>	Guide, wire, 2 mm, 85/15	840000376
	<b>148.025</b>	Guide, wire, 11GA, 2,3 mm	840000243
	<b>148.065</b>	Guide, wire, 11GA, 2,3 mm, 85/15	840000377
3	<b>148.040</b>	Retainer, wire guide, standard	845000312
4	<b>148.041</b>	Retainer, wire guide, with pins	840000480
5	<b>148.003</b>	Air Cap, fan spray, 14GA, 1.6mm	840000381
5	<b>148.004</b>	Air Cap, fan spray 11GA, 2.3 mm	840000340
6	<b>148.011</b>	Air Cap, Open without Shield	840000953
7	<b>148.009</b>	Air Cap, Open with Shield	840000954
8	<b>148.002</b>	Air Cap, high velocity w/arc shield	845004734
9	<b>148.001</b>	Air Cap, high velocity w/out Arc shield	840000222
10	<b>148.005</b>	Air Cap, fan spray 11GA, 2.3 mm, corrosion	840000941
11	<b>148.007</b>	Lock ring, fan spray ring w/o shield	840000380
12	<b>148.006</b>	Lock ring, fan spray w/arc shield	840000379
<b>WIRE FEEDER</b>			
	<b>148.018</b>	Drive roll, 14 Gauge, U-groove, 1.6 mm	881000005
	<b>148.012</b>	Drive roll, 2 mm, U-groove	881000167
	<b>148.013</b>	Drive roll, 2 mm, VK-groove	881000297
	<b>148.016</b>	Drive roll, 11GA (2.3mm), U-groove	885000346
	<b>148.017</b>	Drive roll, 11GA (2.3mm), VK-groove	881000173
	<b>148.029</b>	Intermediate wire guide	845000352
<b>CABLES &amp; HOSES</b>			
	<b>148.008-03</b>	Cable, coaxial, length 10 ft.	861000003-10
	<b>148.010</b>	Cable, Ctrl, Trigger, 10 ft.	861000005-10
	<b>148.033-02</b>	Hose, atomizing, length 10 ft.	861000004-10
	<b>148.035</b>	Liner, nylon, black, 1/8" ID	880000008
	<b>148.067-01</b>	Cable, POWER, 2/0, negative 10 ft.	861000007-10
	<b>148.068-01</b>	Cable, POWER, 2/0, positive 10 ft.	861000006-10
	<b>148.069-01</b>	Cable, control, power supply, 10 ft.	861000008-10
	<b>148.057</b>	Switch box assembly, 20 ft.	861000139-20
		Other lengths on request	

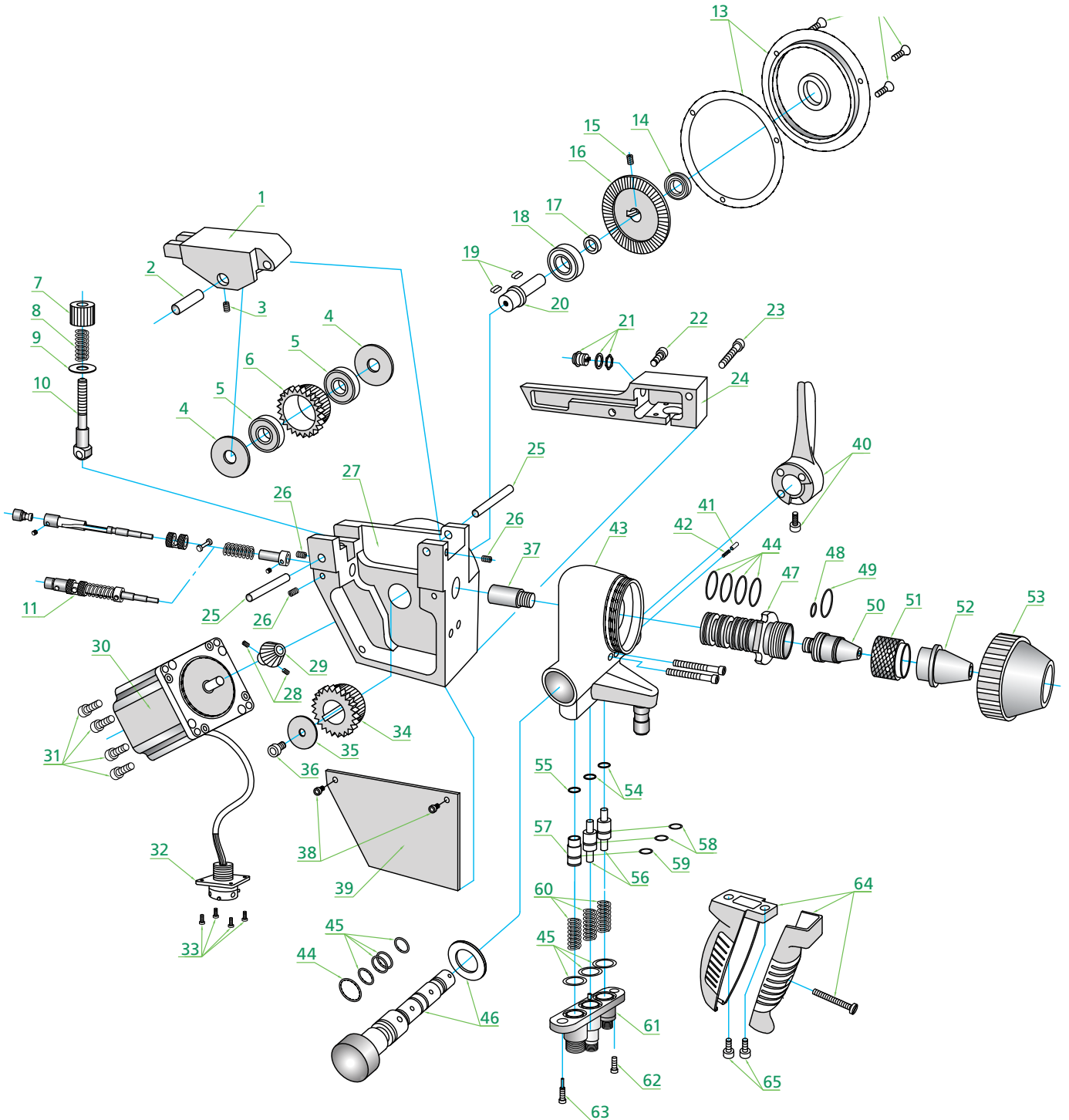
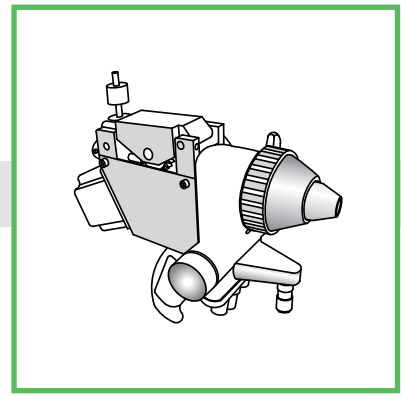


## AWS-400 Arc Wire Gun



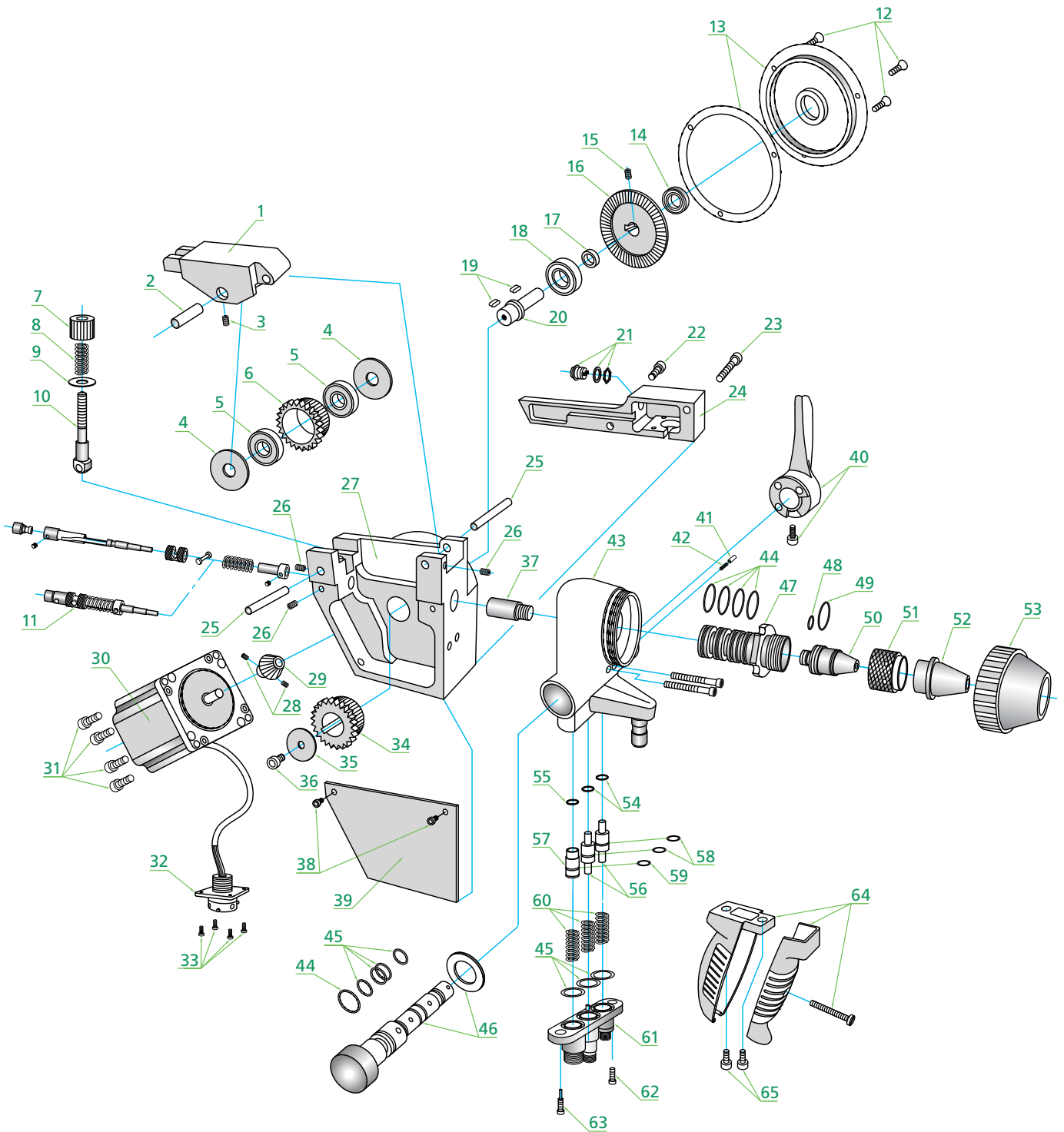
<b>AWS-400 Arc Wire Gun</b>			
<b>Pos.</b>	<b>FST p/n</b>	<b>Product Description</b>	<b>OEM / Remark</b>
<b>OTHERS</b>			
	<b>148.022</b>	Guide, wire, coaxial cable, 14-11 GA (1,6-2,3 mm)	845001166
	<b>148.023</b>	Guide, wire, coaxial cable, 1/8" (3,2 mm)	840000524
	<b>148.048</b>	O-ring, B, 112, on coaxial cable	886000137
	<b>148.049</b>	Circuit breaker, 1 Amp	881000093
	<b>148.050</b>	Circuit breaker, 2 Amp	881000094
	<b>148.051</b>	Circuit breaker, 5 Amp	881000095
	<b>148.052</b>	Fuse, cartridge 5 Amp	156-065
	<b>148.073</b>	Fuse 20 Amp	886000793, -3AB
	<b>148.070</b>	Kit, Cable Conn, Remote RC2	861000241
	<b>148.071</b>	Kit, Cable Conn, Trigger RC3	incl. 148.334, 148.335, 209.158
	<b>148.072</b>	Air supply connection, assembly	
	<b>148.100-01</b>	AWS-400 extension 6" str.	861000051-6
	<b>148.100-02</b>	AWS-400 extension 12" 90°	861000098-12
	<b>148.100-03</b>	AWS-400 extension 24" 90°	861000098-24
	<b>148.100-04</b>	AWS-400 extension 36" 90°	861000098-36

# FWS-20 Flame Wire Gun



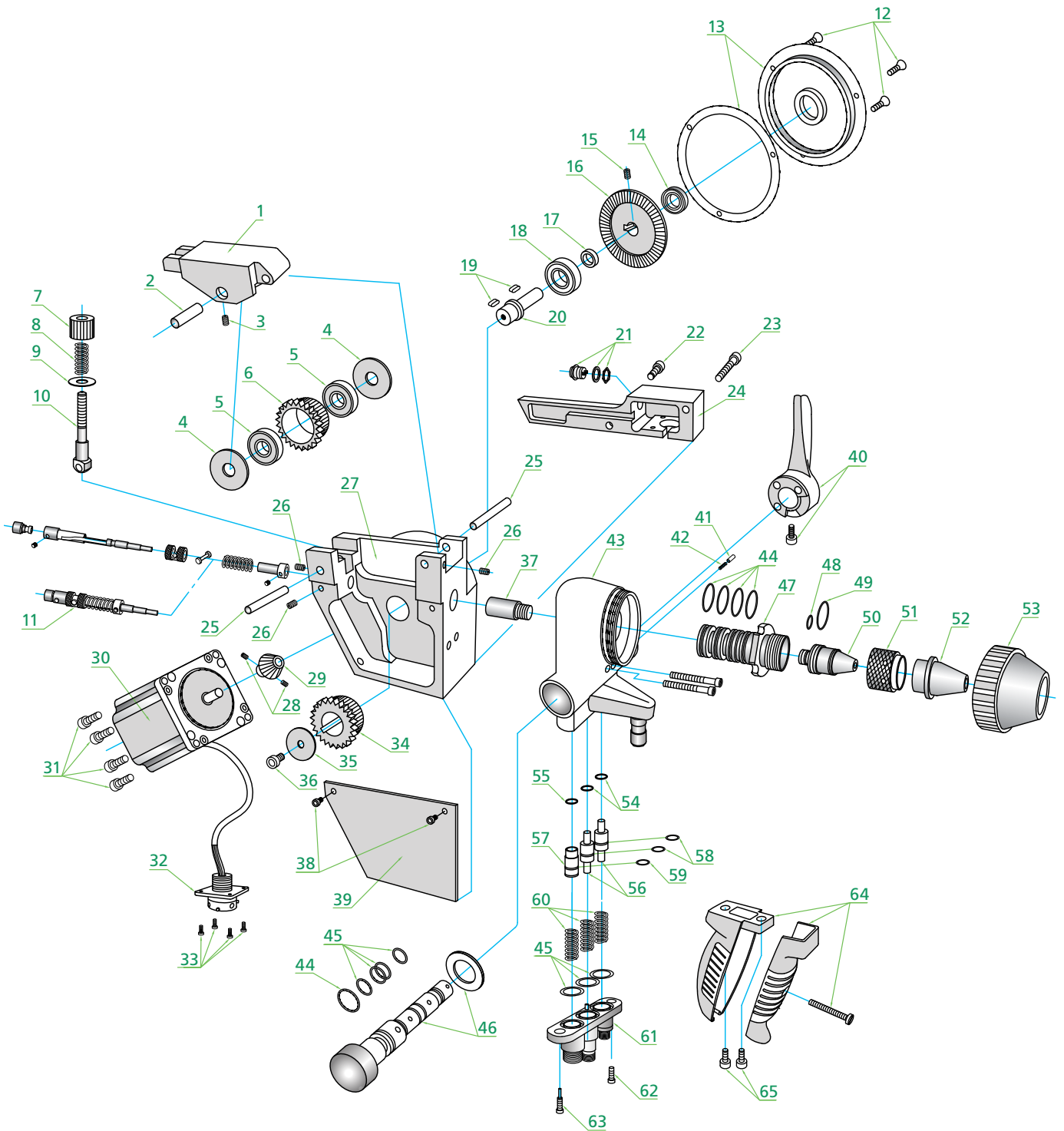
<b>FWS-20 FLAME WIRE GUN</b>			
<b>Pos.</b>	<b>FST p/n</b>	<b>Product Description</b>	<b>OEM / Remark</b>
1	320.003	Wire feed roll cover	–
2	320.039	Wire drive roll shaft	–
3	320.025	Set screw, wire drive roll shaft	–
4	320.038	Washer (teflon)	Included in 320.046-01, -02
5	320.044	Wire drive roll bearing	Included in 320.046-01, -02
6	320.012-01	Wire feed roll without bearing, 1/8"	Included in 320.046-01
	320.012-02	Wire feed roll without bearing 3/16"	Included in 320.046-02
7	320.007	Grip regulator	Included in 320.126
8	320.005	Grip regulator spring	Included in 320.126
9	320.034	Washer	Included in 320.126
10	320.004	Grip regulator pin	Included in 320.126
11	320.048-01	Back wire kit for 1/8"	–
	320.048-02	Back wire kit for 3/16"	–
12	320.037	Screw	–
13	320.016	Gear cover plate	–
14	320.043	Main shaft bearing	–
15	320.035	Set screw, gear	Included in 320.047
16	320.018	Gear	Included in 320.047
17	320.020	Washer	Included in 320.047
18	320.042	Main shaft central bearing	–
19	320.036	Main shaft key	Included in 320.047
20	320.017	Main drive shaft	Included in 320.047
21	320.023	Push button	Included in 320.051
22	320.031	Bolt, connector support, back	–
23	320.032	Bolt, connector support, front	–
24	320.015	Connector support	Included in 320.051
25	320.033	Shaft	–
26	320.029	Set screw, shaft	–
27	320.014	Gun body	–
28	320.041	Set screw, driving gear	Included in 320.047
29	320.019	Driving gear	Included in 320.047
30	320.013	Electrical wire drive motor	Included in 320.051
31	320.024	Allen Screw, E-motor	–
32	320.022	Connector	Included in 320.051, including 320.030
33	320.030	Connector mounting screw	Included in 320.051

# FWS-20 Flame Wire Gun



<b>FWS-20 FLAME WIRE GUN</b>					
Pos.	FST p/n	Product Description	OEM / Remark		
34	<b>320.008-01</b>	Wire drive roll (driving) for 1/8"	Included in 320.046-01		
	<b>320.008-02</b>	Wire drive roll (driving) for 3/16"	Included in 320.046-02		
35	<b>320.006</b>	Washer main shaft	Included in 320.046-01, -02		
36	<b>320.040</b>	Screw, main shaft	Included in 320.046-01, -02		
37	<b>320.011-01</b>	Front wire guide 1/8"	-		
	<b>320.011-02</b>	Front wire guide for 3/16"	-		
38	<b>320.026</b>	Bolt, cover plate	-		
39	<b>320.021</b>	Cover plate (wire drive roll side)	-		
40	<b>320.097</b>	Valve handle assembly	12E 45	14E45	5K512
41	<b>320.109</b>	Detent pin	12E 173	14E173	5K309
42	<b>320.110</b>	Spring (detent pin)	12E 174	14E174	5K317
43	<b>320.088</b>	Gas head sub-assembly	12E 15	14E15	
44	<b>320.087</b>	O-Ring (valve core, siphon plug)	12E 14	14E14	5K14
45	<b>320.096</b>	O-Ring	12E 44	14E44	5K195
46	<b>320.095</b>	Valve core	12E 43	14E43	
47	<b>320.055</b>	Siphon plug (Acetylene-large)	12E 2-5	14E2-5	5K2-5
	<b>320.056</b>	Siphon plug (Propane/MPS-large)	12E 2-6	14E2-6	5K2-6
	<b>320.057</b>	Siphon plug (Acetylene-small)	12E 2-7	14E2-7	5K2-7
48	<b>320.100</b>	O-Ring, nozzle small	12E 109	14E109	5K509
49	<b>320.099</b>	O-Ring, nozzle large	12E 108	14E108	5K508
50	<b>320.071</b>	Nozzle (non-load) (Acetylene) (1/8)	12E 7-26	14E7-26	5K7-26
	<b>320.072</b>	Nozzle (non-load) (Propane) (1/8)	12E 7-27	14E7-27	5K7-27
	<b>320.073</b>	Nozzle (Acetylene) (15 gauge)	12E 7-29	14E7-29	5K7-29
	<b>320.074</b>	Nozzle (non-load) (Acetylene) (15 gauge)	12E 7-30	14E7-30	5K7-30
	<b>320.075</b>	Nozzle (Propane) (15 gauge)	12E 7-31	14E7-31	5K7-31
	<b>320.076</b>	Nozzle (non-load) (Propane) (15 gauge)	12E 7-32	14E7-32	5K7-32
	<b>320.077</b>	Nozzle (Acetylene) (11 gauge)	12E 7-35	14E7-35	5K7-35
	<b>320.078</b>	Nozzle (non-load) (Acetylene) (11 gauge)	12E 7-36	14E7-36	5K7-36
	<b>320.079</b>	Nozzle (Propane) (11 gauge)	12E 7-37	14E7-37	5K7-37
	<b>320.080</b>	Nozzle (non-load) (Propane) (11 gauge)	12E 7-38	14E7-38	5K7-38
	<b>320.081</b>	Nozzle (Acetylene) (3/16)	12E 7-42	14E7-42	5K7-42
	<b>320.082</b>	Nozzle (Propane) (3/16)	12E 7-43	14E7-43	5K7-43
	<b>320.083</b>	Nozzle (non-load) (Acetylene) (3/16)	12E 7-45	14E7-45	5K7-45
	<b>320.084</b>	Nozzle (non-load) (Propane) (3/16)	12E 7-46	14E-46	5K7-46
	<b>320.085</b>	Nozzle (Acetylene) (1/8)	12E 7-48	14E7-48	5K7-48
	<b>320.086</b>	Nozzle (Propane) (1/8)	12E 7-49	14E7-49	5K7-49
51	<b>320.069</b>	Wire nozzle nut	12E 6	14E6	5K606
52	<b>320.058</b>	"AH" Air cap	12E 3-AH	3K3-AH	5K3-AH

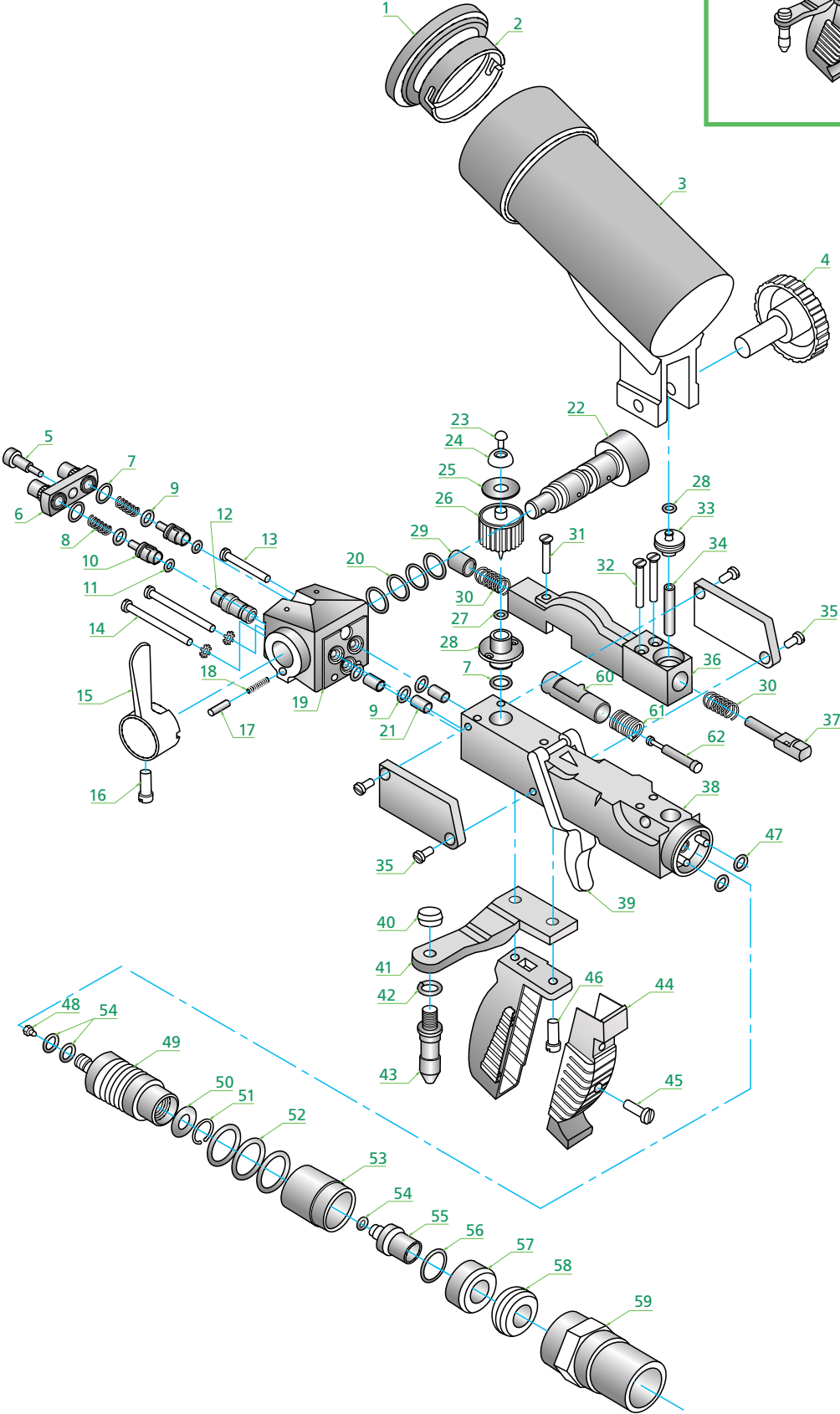
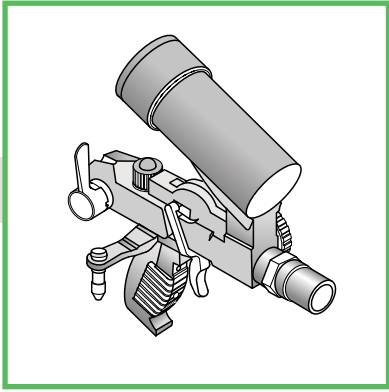
# FWS-20 Flame Wire Gun



<b>FWS-20 FLAME WIRE GUN</b>					
Pos.	FST p/n	Product Description	OEM / Remark		
	320.059	"C" Air cap	12E 3-C	Y3-C	5K3-C
	320.060	"CH" Air cap	12E 3-CH	3K3-CH	5K3-CH
	320.061	"EA" Air cap	12E 3-EA	3K3-EA	5K3-EA
	320.062	"EC" Air cap	12E 3-EC	8E3-EC	5K3-EC
	320.063	"J" Air cap	12E 3-J	4E3-J	5K3-J
53	320.053	Air cap body	12E 1	14E1	5K701
54	320.107	Plunger seal O-Ring (fuel gas and oxygen)	12E 170	14E170	
55	320.106	Plunger seal O-Ring (air)	12E 169	14E169	
56	320.104	Plunger (fuel gas and oxygen)	12E 165	14E165	5K303
57	320.120	Plunger (air)	12E 166	14E166	5K304
58	320.105	O-Ring, plunger (fuel gas and oxygen)	12E 168	14E168	
59	320.114	O-Ring, plunger (air)	12E 186	14E186	5K226
60	320.108	Plunger spring	12E 171	14E171	5K307
61	320.111	Hose connection block	12E 176	14E176	
62	320.103	Screw, mounting, hose connection block	12E 157	14E157	
63	320.112	Screw, valve core stop	12E 179	14E179	
64	320.002	Gun handle	12E 27	14E27	
65	320.027	Bolt, gun handle	-		
<b>OTHERS</b>					
	320.001	Gas head assembly	12E 5, 1/8" Acetylene		
	320.065	Gas head assy (3/16) (Acetylene)	12E 5-1		
	320.066	Gas head assy (11 Gage)	12E 5-3		
	320.067	Gas head assy (3/16) (Propane)	12E 5-1P		
	320.068	Gas head assy (1/8) (Propane)	-		
	320.046-01	Drive roll kit for 1/8"	Including 320.006, 008-01, 012-01, 038, 040, 044		
	320.046-02	Drive roll kit for 3/16"	Including 320.006, 008-02, 012-02, 038, 040, 044		
	320.047	Transmission kit	Including 320.017, 018, 019, 020, 035, 036, 041		
	320.051	Motor & push button assembly	Including 320.013, 015, 022, 023, 030		
	320.126	Wire feed pressure regulator assembly	incl. 320.004, 005, 007, 034		
<b>CABLES AND HOSES</b>					
	120.200-01	FWS-20 Gun hoses Ace/Oxy/Air	Length 6 meter		
	120.200-02	FWS-20 Gun hoses Ace/Oxy/Air	Length 10 meter		
	120.201-01	FWS-20 Electrical gun control cable	Length 8 meter		
	320.160	Set of hoses, with quick connector	-		

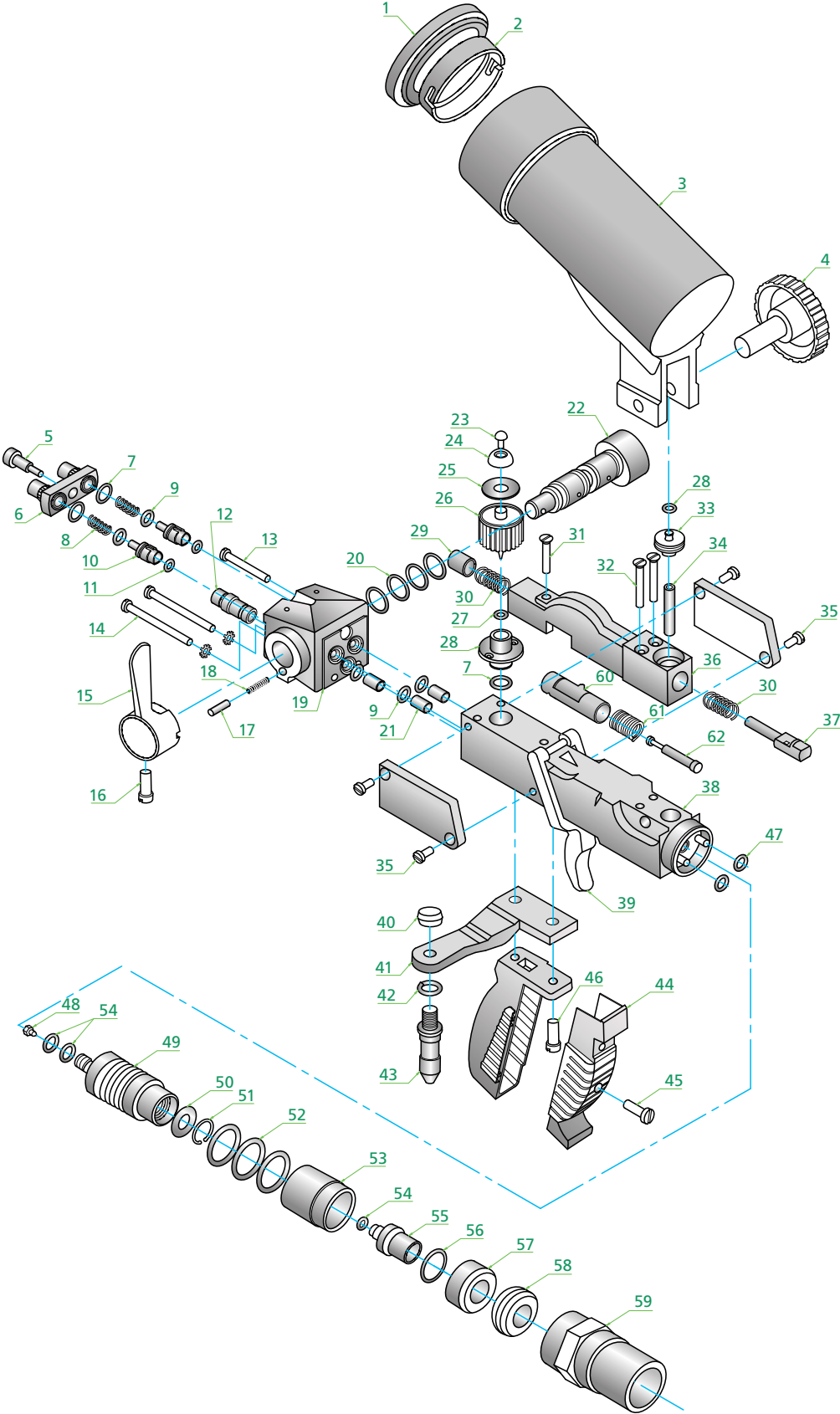


# 5P-II Flame Powder Gun



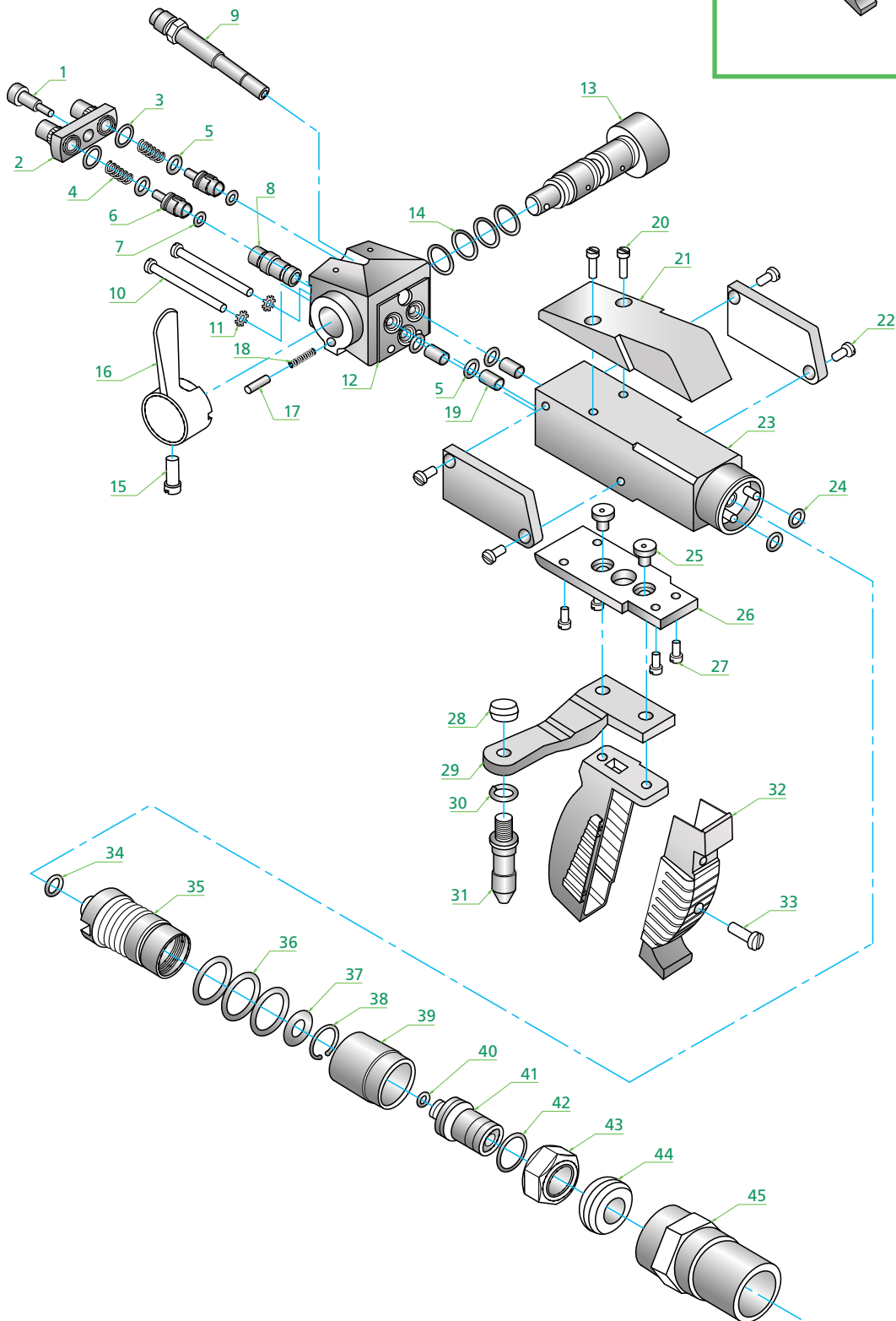
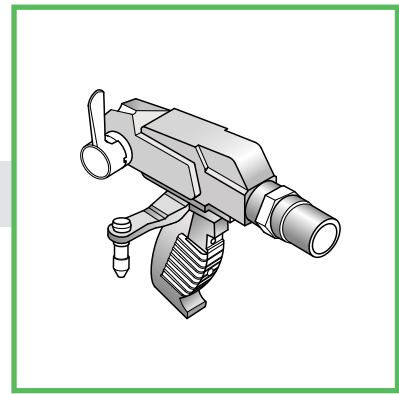
<b>5P-II FLAME POWDER GUN</b>			
<b>Pos.</b>	<b>FST p/n</b>	<b>Product Description</b>	<b>OEM / Remark</b>
	<b>331.000</b>	5P-II Flame powder spray gun complete	
	<b>331.000-01</b>	5P-II Flame powder spray gun	incl. vibrator and transformer
	<b>331.100</b>	Air jet	2PSA
1	<b>331.030</b>	Canister cover	5P 590
2	<b>331.031</b>	U-Cup	5P 91
3	<b>331.010-01</b>	Canister	5P 581
4	<b>331.032</b>	Canister clamp handle	5P 66
5	<b>331.033</b>	Connection block mounting screw	5P 199
6	<b>331.018</b>	Hose connection block	5P 197
7	<b>331.034</b>	Connection block O-Ring	5P 137
8	<b>331.035</b>	Plunger spring	5P 194
9	<b>331.036</b>	Plunger O-Ring	5P 80
10	<b>331.037</b>	Plunger	5P 192
11	<b>331.028</b>	Plunger seal O-Ring	5P 191, fuel gas and oxygen
12	<b>331.038</b>	Air hose connection	5P 98
13	<b>331.039</b>	Mounting screw, short	5P 102
14	<b>331.040</b>	Mounting screw, long	5P 103
15	<b>331.041</b>	Valve handle	5P 189
16	<b>331.042</b>	Valve handle screw	5P 68
17	<b>331.043</b>	Detent pin	5P 188
18	<b>331.044</b>	Detent pin spring	5P 196
19	<b>331.045</b>	Valve block	5P 186
20	<b>331.027</b>	Valve core O-Ring	5P 195
21	<b>331.046</b>	Gas connecting tube	5P 34
22	<b>331.047</b>	Valve core	5P 187
23	<b>331.048</b>	Knob set screw	5P 541
24	<b>331.049</b>	Retainer	5P 39
25	<b>331.050</b>	Dial plate	5P 38
26	<b>331.051</b>	Valve knob	5P 552
27	<b>331.052</b>	Knob stem O-Ring	5P 135
28	<b>331.053</b>	Flow control valve	5P 526
29	<b>331.054</b>	Detent pin	5P 36
30	<b>331.055</b>	Detent spring	5P 37
31	<b>331.056</b>	Bolt housing mounting screw, back	5P 49
32	<b>331.057</b>	Bolt housing mounting screw, front	5P 64
33	<b>331.006</b>	Metering Valve #11	5P-8-11
	<b>331.058</b>	Metering Valve #12	5P-8-12

# 5P-II Flame Powder Gun



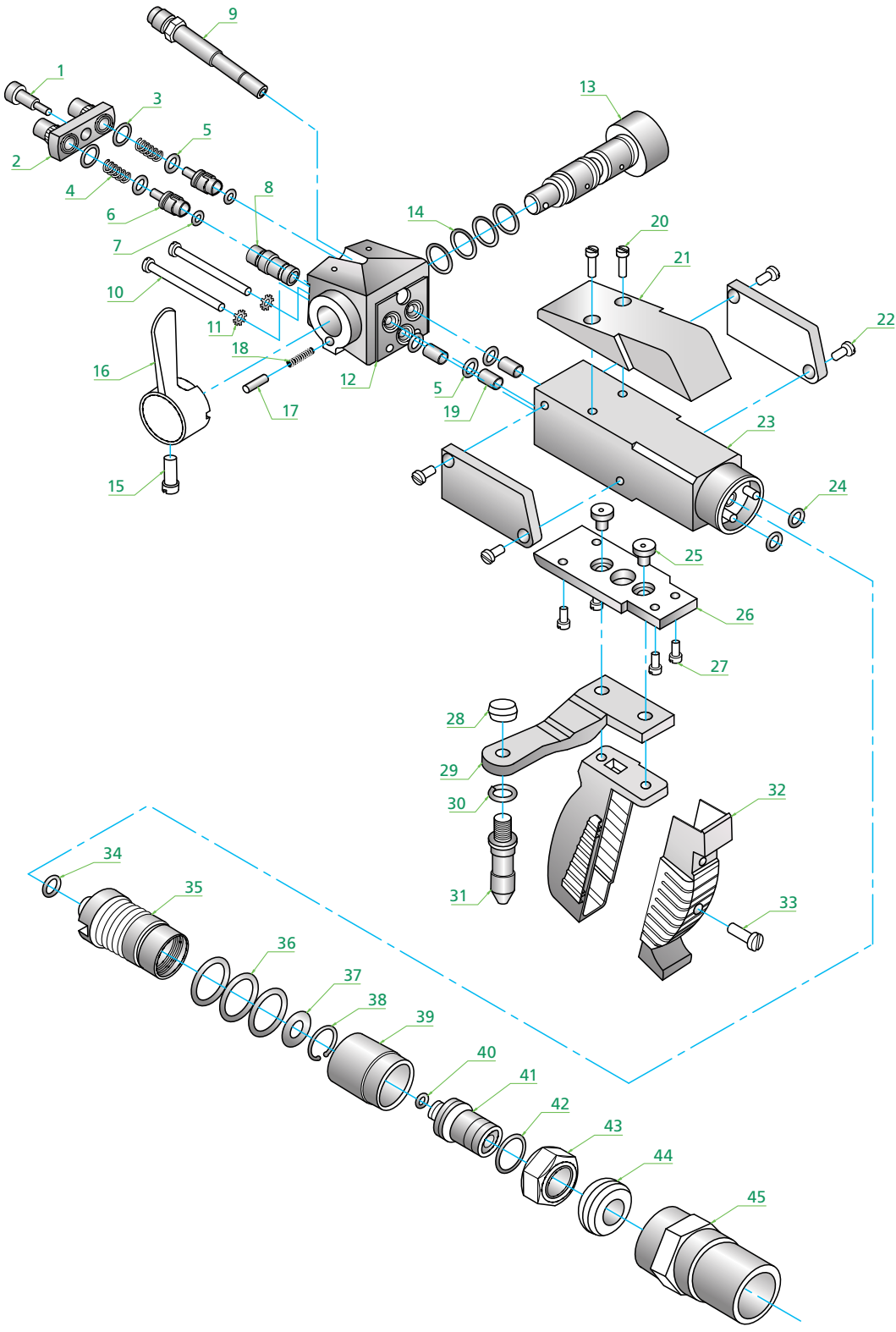
<b>5P-II FLAME POWDER GUN</b>			
<b>Pos.</b>	<b>FST p/n</b>	<b>Product Description</b>	<b>OEM / Remark</b>
	<a href="#">331.059</a>	Metering Valve #15	5P-8-15M
	<a href="#">331.012</a>	Vibrator unit complete, incl. transformer	5P 803
34	<a href="#">331.004</a>	Valve tube	5P 141
35	<a href="#">331.061</a>	Plate mounting screw	5P 62
36	<a href="#">331.062</a>	Bolt housing	5P 46
37	<a href="#">331.063</a>	Valve bolt	5P 40
38	<a href="#">331.064</a>	Gun body assembly	5P 625
39	<a href="#">331.065</a>	Trigger	5P 30
40	<a href="#">331.066</a>	Stud nut	5P 123
41	<a href="#">331.067</a>	Tool post bracket	5P 121
42	<a href="#">331.068</a>	Lockwasher	5P 124
43	<a href="#">331.069</a>	Mounting stud	5P 122
44	<a href="#">331.070</a>	Handle	5P 627
45	<a href="#">331.071</a>	Handle assembly screw	5P 28
46	<a href="#">331.072</a>	Handle mounting screw	5P 67
47	<a href="#">331.021</a>	Gas tube O-Ring	5P 184
48	<a href="#">331.073</a>	Aspirator jet screw	5P 1
49	<a href="#">331.007</a>	Standard Spray Siphon plug	5P 585
50	<a href="#">331.015</a>	Baffle	5P 266
51	<a href="#">331.016</a>	Baffle retaining ring	5P 167
52	<a href="#">331.022</a>	Siphon plug O-Ring	5P 516
53	<a href="#">331.074</a>	Sleeve	5P 519
54	<a href="#">331.023</a>	Aspirator O-Ring	5P 515
55	<a href="#">331.075</a>	"B" nozzle	5P 7B-B
	<a href="#">331.029</a>	"D" nozzle	5P 7B-D
	<a href="#">331.017</a>	"F" Nozzle	5P 7B-F
	<a href="#">331.003</a>	"G" Nozzle	5P 7B-G
	<a href="#">331.076</a>	"N" Nozzle	5P 7B-N
	<a href="#">331.077</a>	"K" Nozzle	5P 7B-K
	<a href="#">331.078</a>	"M" nozzle	5P 7B-M
56	<a href="#">331.085</a>	O-Ring	5P 108
57	<a href="#">331.086</a>	Nozzle nut	5P 575
58	<a href="#">331.087</a>	Air cap	5P 576
	<a href="#">331.088</a>	Air bleeder cap	5P 577
59	<a href="#">331.081</a>	Air cap body	5P 501
60	<a href="#">331.082</a>	Ratchet	5P 53
61	<a href="#">331.083</a>	Override spring	5P 51
62	<a href="#">331.084</a>	Override bar	5P 50

## 6P-II Flame Powder Gun



<b>6P-II FLAME POWDER GUN</b>			
<b>Pos.</b>	<b>FST p/n</b>	<b>Product Description</b>	<b>OEM / Remark</b>
	<b>330.000</b>	6P-II Flame powder spray gun complete	
1	<b>330.041</b>	Screw, connection block mounting	6P 199
2	<b>330.040</b>	Hose connection block	6P 197
3	<b>330.030</b>	O-Ring, connection block	6P 137
4	<b>330.037</b>	Spring, plunger	6P 194
5	<b>330.019</b>	O-Ring, plunger	6P 80
6	<b>330.036</b>	Plunger	6P 192
7	<b>330.035</b>	O-Ring, plunger seal	6P 191
8	<b>330.025</b>	Air hose connection	6P 98
9	<b>330.026</b>	Powder feed tube	6P 101
10	<b>330.016</b>	Screw, mounting	6P 77
11	<b>330.017</b>	Lock washer	6P 78
12	<b>330.024</b>	Gas valve block	6P 92
13	<b>330.032</b>	Valve core assembly	6P 187
14	<b>330.038</b>	O-Ring, valve core	6P 195
15	<b>330.014</b>	Screw, valve handle mounting	6P 68
16	<b>330.034</b>	Valve handle assembly	6P 189
17	<b>330.033</b>	Detent pin	6P 188
18	<b>330.039</b>	Spring, detent pin	6P 196
19	<b>330.015</b>	Gas connection tube	6P 72
20	<b>330.013</b>	Screw, top plate mounting	6P 67
21	<b>330.031</b>	Top plate	6P 169
22	<b>330.011</b>	Screw, plate mounting	6P 29
23	<b>330.012</b>	Gun body assembly	6P 40
24	<b>330.001</b>	O-Ring, connection tube	6P 24
25	<b>330.049</b>	Screw, handle assembly mounting	6P 287
26	<b>330.047</b>	Handle mounting plate	6P 285
27	<b>330.023</b>	Screw, mounting plate	6P 88
28	<b>330.074</b>	Nut	6P 283
29	<b>330.045</b>	Tool post bracket	6P 281
30	<b>330.046</b>	Lock washer, mounting stud	6P 284
31	<b>330.073</b>	Mounting stud	6P 282
32	<b>331.070</b>	Handle	5P 627
33	<b>330.050</b>	Screw, handle assembly	6P 288
34	<b>330.018</b>	O-Ring, siphon plug, small	6P 79
35	<b>330.058</b>	Siphon plug, 2 jet	6P 600

# 6P-II Flame Powder Gun

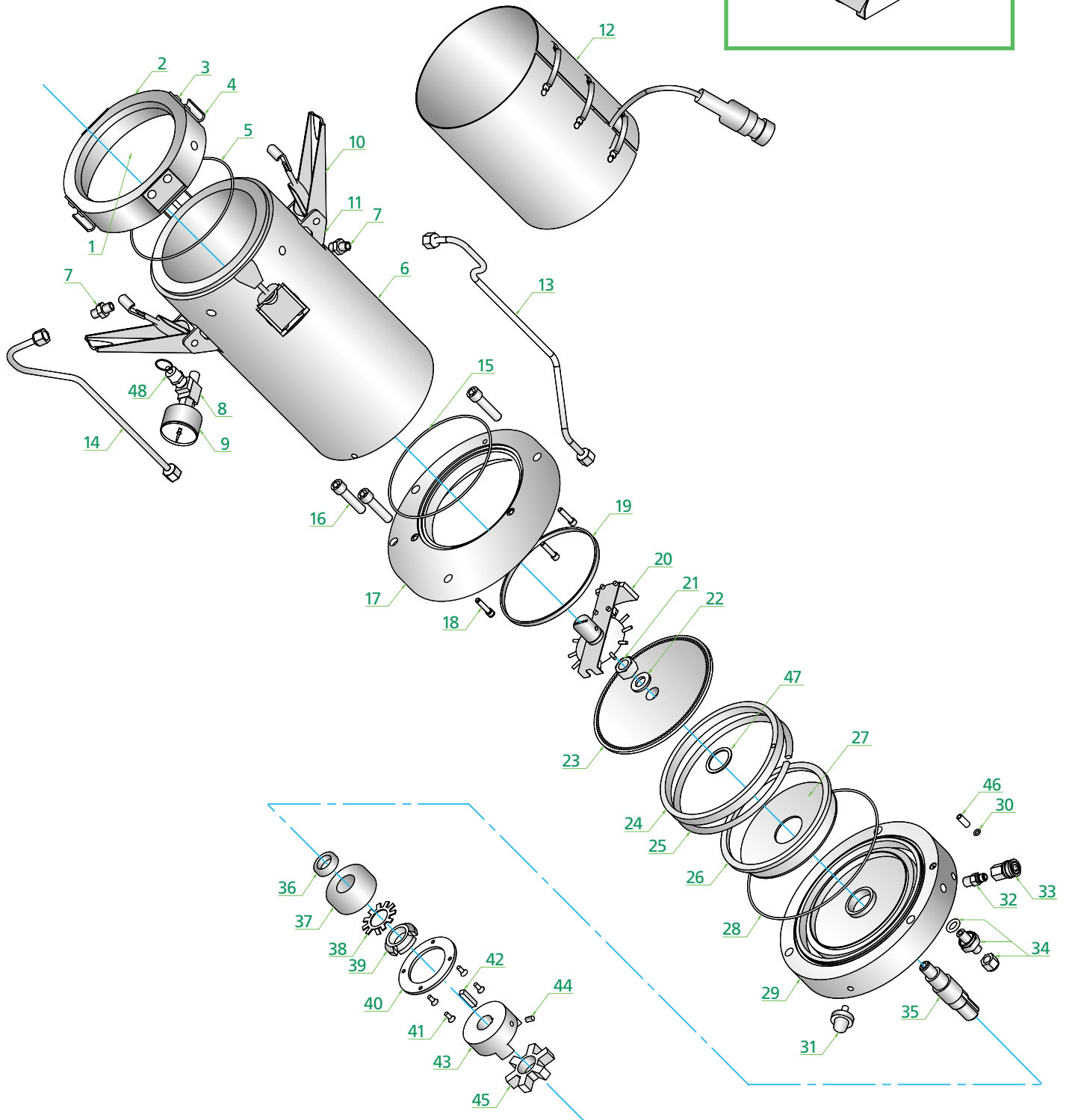
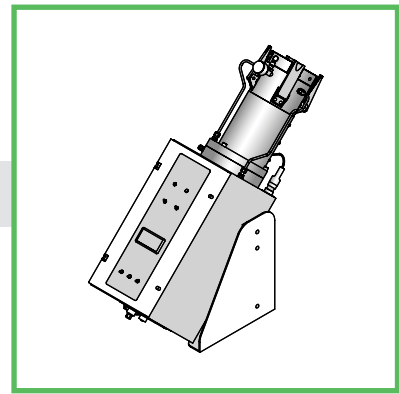


<b>6P-II FLAME POWDER GUN</b>			
<b>Pos.</b>	<b>FST p/n</b>	<b>Product Description</b>	<b>OEM / Remark</b>
	<b>330.060</b>	Siphon plug, 4 jet	6P 605
36	<b>330.020</b>	O-Ring, siphon plug, large	6P 81
37	<b>330.055</b>	Baffle, brass	6P 518
38	<b>330.022</b>	Baffle retaining ring	6P 84
39	<b>330.021</b>	Sleeve	6P 82
40	<b>330.042</b>	O-Ring, nozzle, small	6P 217
41	<b>330.004</b>	"D" nozzle	6P 7C-D
	<b>330.005</b>	"F" nozzle	6P 7C-F
	<b>330.006</b>	"K" nozzle	6P 7C-K
	<b>330.007</b>	"M" nozzle	6P 7C-M
	<b>330.008</b>	"MH" nozzle	6P 7C-MH
42	<b>330.043</b>	O-Ring, nozzle, large	6P 218
43	<b>330.057</b>	Nozzle nut	6P 525
44	<b>330.002</b>	Air cap, gun cooling	6P 4
	<b>330.009</b>	Air cap, pinch-cool	6P 3
45	<b>330.028</b>	Air cap body	6P 117
<b>OTHERS</b>			
	<b>120.410</b>	Dual Gas flow tubes	
	<b>330.003</b>	Gas valve assembly	6P 5
	<b>330.044</b>	O-Ring package, gas valve	6P 280, incl. 330.019, 030, 035, 038
	<b>330.054</b>	Control handle assembly	6P 510
	<b>330.072</b>	Siphon plug spare parts	6P 855, incl. 330.018, 020, 022, 055
	<b>330.100</b>	Gas/Air panel complete	

*NOTE: in this Consumable Guide the most generally industrial used spare parts are listed. If products other than listed in this catalogue are required, please contact our customer support team.*

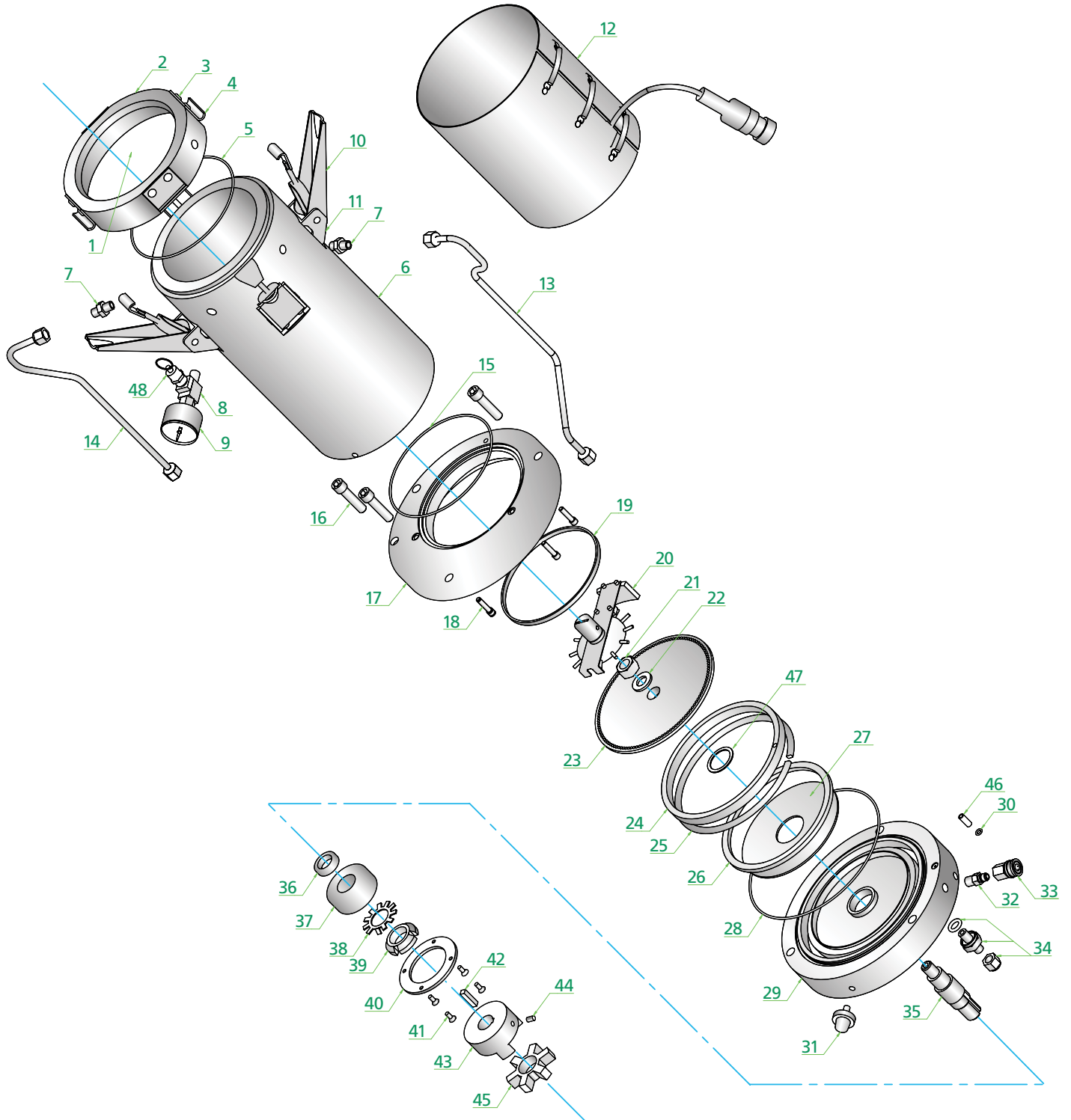


# PF-50 Powder feeder



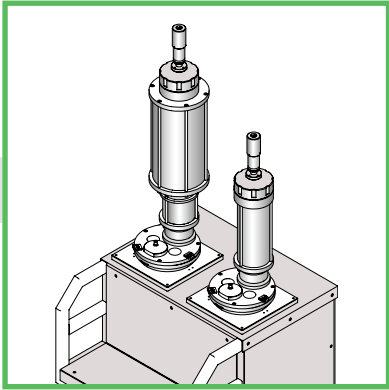
<b>PF-50 Powder feeder</b>			
<b>Pos.</b>	<b>FST p/n</b>	<b>Product Description</b>	<b>OEM / Remark</b>
	<b>209.000</b>	PF-50 Powder Feeder	861000142
1	<b>209.009</b>	Powder feeder canister window	841250152
2	<b>209.012</b>	Window ring	841270101
3	<b>209.138</b>	Screw, BTN HD, 10-32 x 0.375 LG	886000209
4	<b>209.079</b>	Strike, Canister latch	881270403
5	<b>209.181</b>	O-ring, B, 250	886000107
6	<b>209.013</b>	Canister	841270102
7	<b>209.044</b>	Fitting, Tube STR, 1/4" Tube x 1/8" MPT, SST	881000334
8	<b>209.018</b>	Valve, pop off, 90 psi	880000148
9	<b>209.050</b>	Gauge, 2", 1/8" CBM, Dual scale 30-0-160 PSI	881000340
10	<b>209.078</b>	Canister latch	881270402
11	<b>209.138</b>	Screw, BTN HD, 10-32 x 0.375 LG	886000209
12	<b>209.099</b>	Heater blanket, Std.	840000437
13	<b>209.083</b>	Tube, Pressure relief	840000430
14	<b>209.014</b>	Tube, Pressure balance	840000429
15	<b>209.179</b>	O-ring, B, 159	886000105
16	<b>209.133</b>	Screw, SHCS, 3/8-16 x 1.50 LG	886000204
17	<b>209.010</b>	Upper housing	841250512
18	<b>209.134</b>	Screw, SHCS, 10-32 x 0.75	886000205
19	<b>209.023</b>	Wiper ring	880015910
20	<b>209.005</b>	Tamper assembly	841250044
21	<b>209.017</b>	Nut, hex jam, 1/2-13 SST	886000217
22	<b>209.081</b>	Washer, flat, 1/2", SST 316	886000221
23	<b>209.073</b>	Powder wheel, Std. slotted (Comes W/ STD Assy.)	881250109
	<b>209.073-1</b>	Powder wheel, 120 hole	881250120
	<b>209.073-2</b>	Powder wheel, Std. slotted	881250141
	<b>209.073-3</b>	Powder wheel, 240 Hole	881250240
	<b>209.073-4</b>	Powder wheel, High volume feed	881253109
	<b>209.073-5</b>	Powder wheel, 320 Hole	881250320
24	<b>209.007</b>	Surface Ring	841250106
25	<b>209.072</b>	Ring, Back up	881250108
26	<b>209.074</b>	Felt ring	881250114
27	<b>209.075</b>	Ring, felt pad	881250308
28	<b>209.180</b>	O-ring, B, 164	886000106
29	<b>209.011</b>	Lower housing	841250520
30	<b>209.182</b>	O-ring, 008S	886000108
31	<b>209.093</b>	Bumper, rubber, 1/4-20 x 0.500	881000378
32	<b>209.021</b>	Fitting, Coupling, 1/8" MPT x Plug quick connect	880000369

## PF-50 Powder feeder

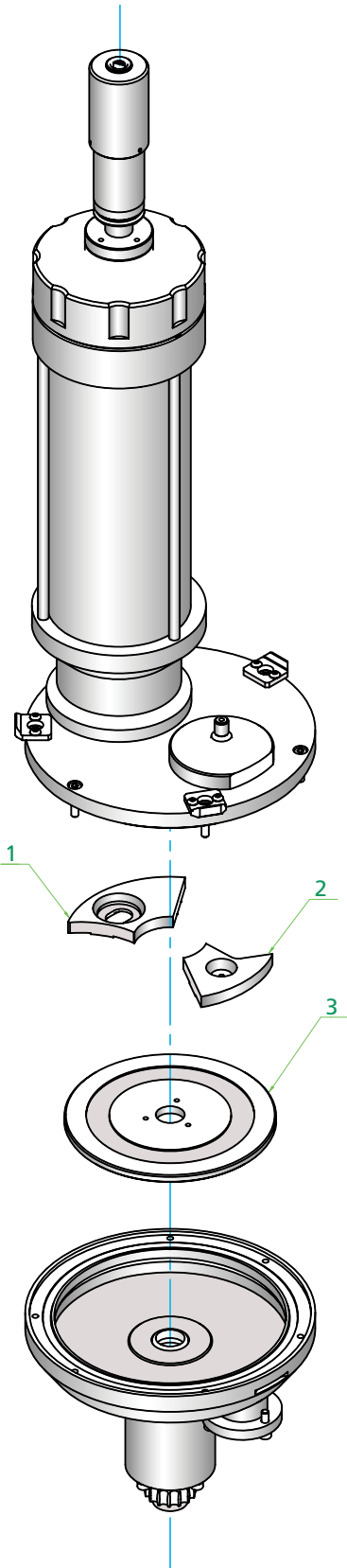


PF-50 Powder feeder			
Pos.	FST p/n	Product Description	OEM / Remark
33	209.020	Fitting, Coupling, 1/8" FPT x Socket quick connect	880000368
34	209.049	FTG, Tube STR, 1/4 Tube x 7/16-20 W/O-ring, SST	881000339
35	209.076	Feeder Drive shaft	881250515
36	209.167	Quad ring Q-4022	886000020
37	209.015	Bearing, lower housing	880000067
38	209.019	Washer, locking, feeder drive shaft	880000153
39	209.016	Feeder drive shaft nut	880000146
40	209.006	Bearing retainer plate	841250105
41	209.142	Screw, FHSCS, 8-32 x 0.375 LG, Zinc plated	886000213
42	209.085	LoveJoy coupling spider	881000330
43	209.086	LoveJoy coupling, 0.625 Dia shaft	881000328
44	209.082	Key, 0.187 x 0.187 x 1.0 Long	886000251
45	209.087	LoveJoy coupling, 0.75 Dia shaft	881000329
46	209.008	Powder port sleeve	841250107
47	209.080	Ring, barrier (felt)	881224107
48	209.043	Fitting, Street tee, 1/8", Brass	881000333
	209.156	Maintenance ring kit	881251113
	209.077	O-Ring kit for powder feeder	881251102

# FST 10-20 powder feeder hopper

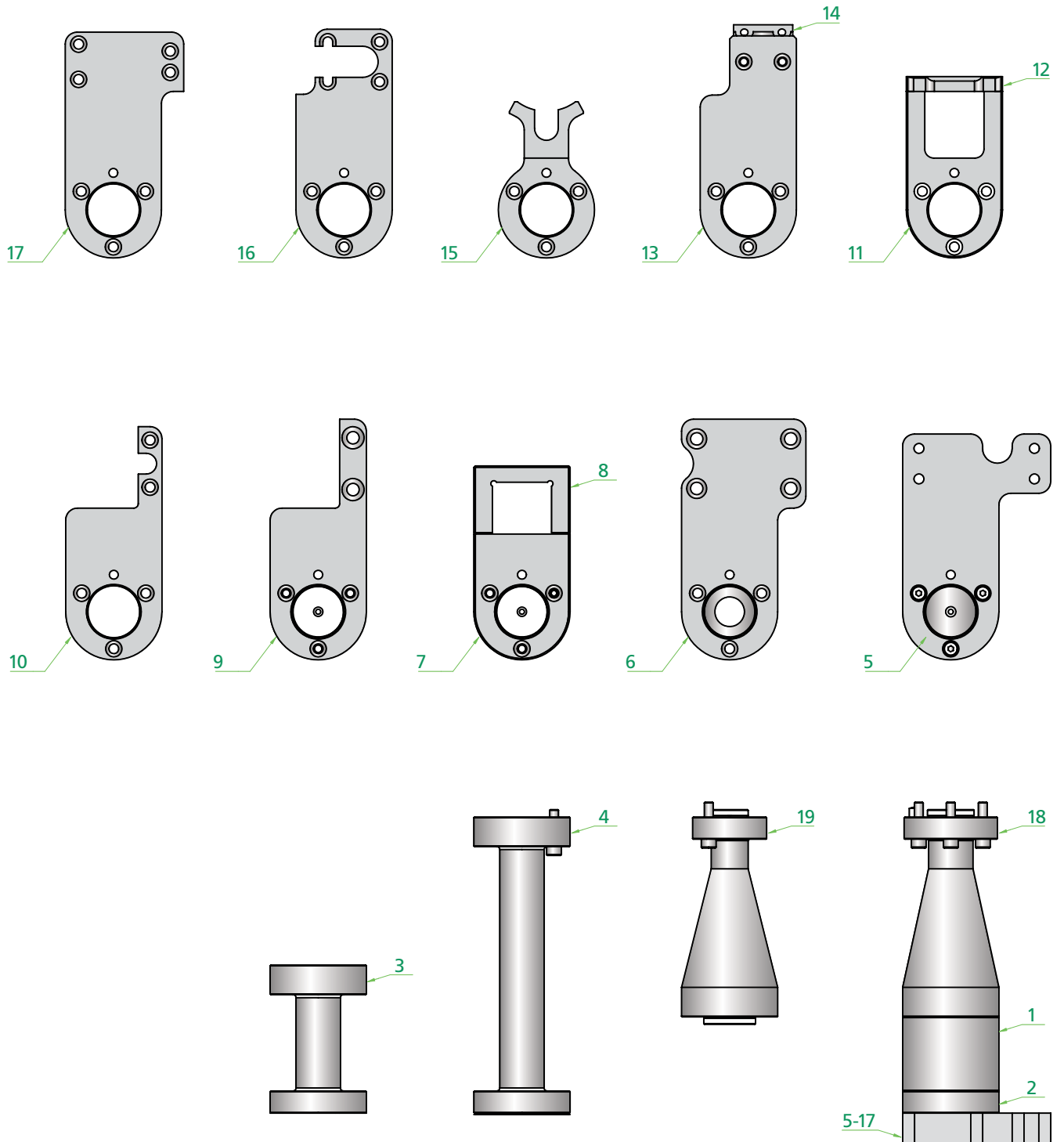


Left: HOPPER - 5 liter  
Right: HOPPER - 1.5 liter



<b>FST 10-20 powder feeder hopper</b>			
<b>Pos.</b>	<b>FST p/n</b>	<b>Product Description</b>	<b>OEM / Remark</b>
	<b>206.100-01</b>	Hopper, 1.5 liter complete	
	<b>206.100-02</b>	Hopper, 1.5 liter complete (HP)	
	<b>206.200-01</b>	Hopper 5 liter complete	
	<b>206.106</b>	Stirrer 1,5L hopper complete	
	<b>206.206</b>	Stirrer 5L hopper complete	
	<b>206.207</b>	Stirrer 5L hopper with pins complete	
<b>1</b>	<b>206.108-01</b>	Spreader "601"	
	<b>206.108-07</b>	Spreader "601-55°"	
	<b>206.108-02</b>	Spreader "L"	
	<b>206.108-03</b>	Spreader "L-55°" (standard)	
	<b>206.108-04</b>	Spreader "NL"	
	<b>206.108-05</b>	Spreader "NL-55°" (standard)	
	<b>206.108-06</b>	Spreader "NL" Laser	
<b>2</b>	<b>206.109-01</b>	Suction unit "601"	
	<b>206.109-02</b>	Suction unit "L"	
	<b>206.109-04</b>	Suction unit "NL"	
	<b>206.109-05</b>	Suction unit "NL" Laser	
	<b>206.190-01</b>	Set spreader "601" / suction "601"	
	<b>206.190-07</b>	Set spreader "601" / suction "601-55°"	
	<b>206.190-02</b>	Set spreader "L" / suction "L"	
	<b>206.190-03</b>	Set spreader "L55" / suction "L" (standard)	
	<b>206.190-04</b>	Set spreader "NL" / suction "NL"	
	<b>206.190-05</b>	Set spreader "NL55" / suction "NL" (standard)	
	<b>206.190-06</b>	Set spreader "NL" / suction "NL" Laser	
<b>3</b>	<b>206.111-01</b>	Powder disc 16/1,2 steel	
	<b>206.111-03</b>	Powder disc 5/0,6 steel Laser	
	<b>206.111-05</b>	Powder disc 16/1,2 arnit	

## Robot Gun Fixtures



FST Robot - Gun fixtures		
Pos.	FST p/n	Product Description
1	259.001	Robot Intermediate Insulator
2	259.002	Robot Intermediate Connector
3	259.003	Robot Intermediate Extension L=100mm
4	259.004	Robot Intermediate Extension L=200mm
5	259.050	Robot Fixplate 9MB Gun
6	259.051	Robot Fixplate JP5000 Gun
7	259.052	Robot Fixplate F1 Gun
8	259.053	Robot Holder F1 Gun
9	259.054	Robot Fixplate F4 Gun
10	259.055	Robot Fixplate 3MB Gun
11	259.056	Robot Fixplate 3MBT Gun
12	259.057	Robot Holder 3MBT Gun
13	259.058	Robot Fixplate SG100 Gun
14	259.059	Robot Holder SG100 Gun
15	259.060	Robot Fixplate 2086+2700 (SG100)
16	259.061	Robot Fixplate eGun
17	259.062	Robot Fixplate DJ2600+2700 Gun
18	259.101	Robot Adapter ABB-IRB2400+2600+4600
19	259.151	Robot Adapter Motoman-HP20D



