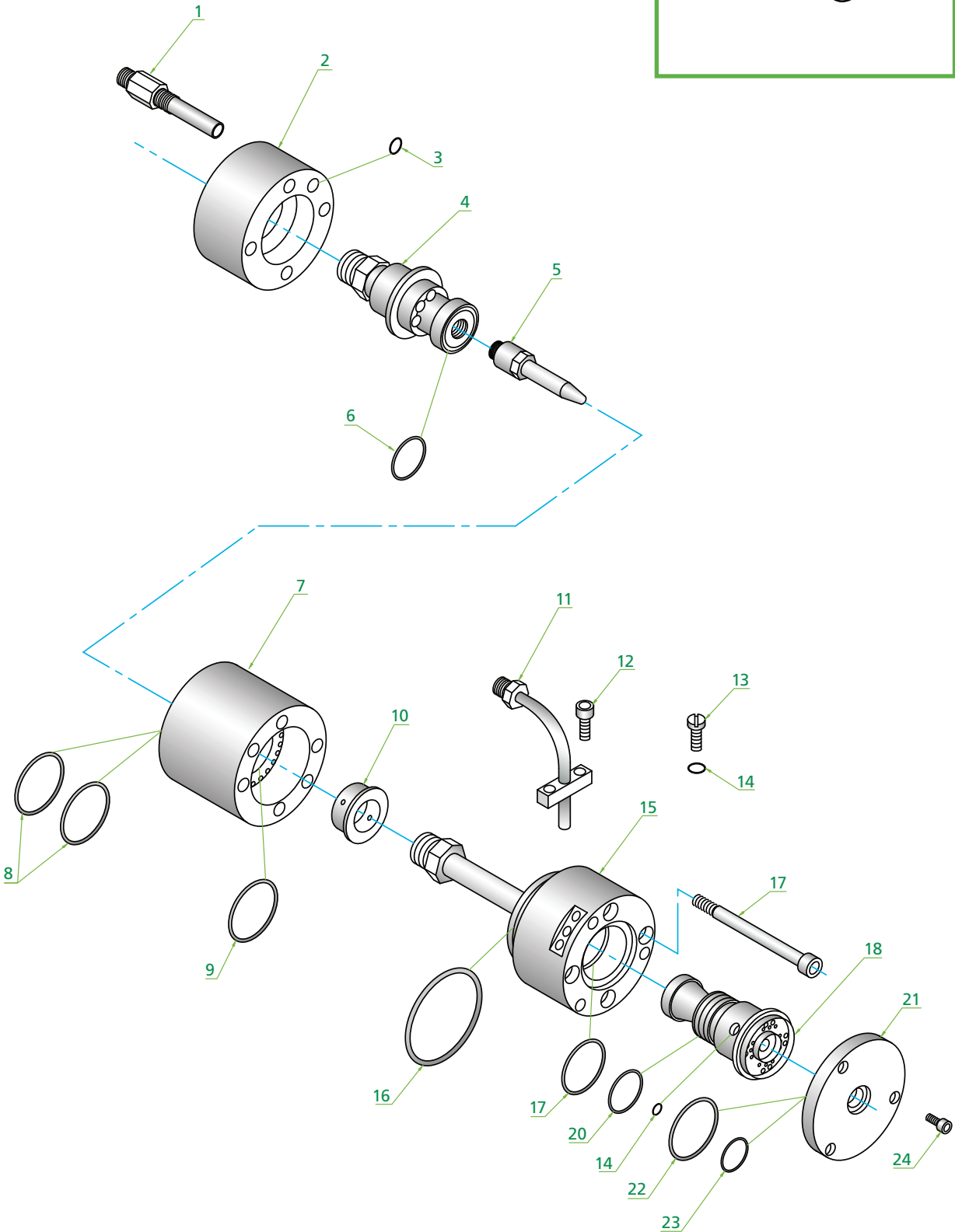
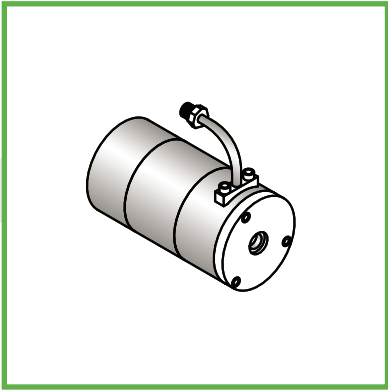


SG-100 Plasma Gun



SG-100 PLASMA GUN			
Pos.	FST p/n	Product Description	OEM / Remark
	307.000	SG-100 Plasma Gun	–
1	307.039	Tube, arc gas port, assembly	1083-10
2	307.038	Gun housing, rear	1083B-205
3	307.046	O-Ring, rear housing	2-010S
4	307.028	Cathode holder	1083A-108, fine thread
5	307.026	Cathode, NVS	1083A-720, non-vortex stabilized
	307.025	Cathode, sub-sonic	3083-129
	307.001	Cathode, Mach 1	1083A-112
	307.027	Cathode, Mach 2	1083A-104
6	307.065	O-Ring, cathode holder	2-017S
7	307.002	Gun housing, middle, insulator	1083A-122N
8	307.066	O-Ring, middle housing	2-022S
9	307.042	O-Ring, middle housing	2-024S
10	307.029	Gas injector, NVS	3083-112, non-vortex stabilized
	307.007	Gas injector, sub-sonic/Mach 1	3083-113
	307.030	Gas injector, Mach 2, std (brown)	3083-110
	307.032	Gas injector	1083A-110
	307.033	Gas injector, 8 hole	2083-112-8
	307.031	Gas injector, 8 hole	5003644
11	307.036	Tube, powder, straight	1083B-210
	307.035	Tube, powder, 90 deg.	5004378
12	307.067	Screw, powder tube	7000611
13	307.040	Plug, powder port	1083A-107A
14	307.048	O-Ring, nozzle / powder port plug	2-006S
15	307.037	Gun housing, front	1083B-200
16	307.044	O-Ring, front housing	2-128S
17	307.068	Screw, insulator housing	7000435
18	307.013	Anode, forward injection, NVS	2083-730, 20° front, non-vortex stabilized
	307.023	Anode, forward injection, sub-sonic	3083-145, 10° front
	307.008	Anode, backward injection, sub-sonic	3083-165, 10° back
	307.021	Anode, straight injection, sub-sonic	3083-175, 90°
	307.022	Anode, Mach 1	2083-355
	307.014	Anode, Mach 1	2083-358
	307.005	Anode, backward injection, Mach 1	2083-155, 10° back
	307.017	Anode, Mach 2, forward injection	2083-100, 10° front
	307.016	Anode, Mach 1, backward injection	2083-611, 10° back
	307.024	Anode, sub-sonic	2083-484

SG-100 PLASMA GUN			
Pos.	FST p/n	Product Description	OEM / Remark
19	307.043	O-Ring, front housing	2-0255
20	307.047	O-Ring, nozzle	2-0205
21	307.034	Plate, front cover, standard	2083-123
22	307.049	O-Ring, front cover plate	2-0265
23	307.045	O-Ring, front cover plate	2-0145
24	307.069	Screw, front cover plate	7000422
OTHERS			
	307.041	O-Ring kit for SG-100	2083-601
CABLES AND HOSES			
	307.054-01	Cable, water cooled, negative, 12 ft	987-7-12
	307.055-01	Cable, water cooled, positive, 12 ft	987-8-12
	307.058-01	Hose, gas powder, 12 ft	985-4-12
	307.070-01	Hose, gas, 12 ft	985-2-12



Flame Spray Technologies

Flame Spray Technologies b.v.
THE NETHERLANDS (Head Office)
Tel: +31 26 3190140
Fax: +31 26 3190141
E-mail: info@fst.nl

Flame Spray Technologies Ltd.
UNITED KINGDOM
Tel: +44 2921 660511
Fax: +44 2921 660811
E-mail: uk@fst.nl

Flame Spray Technologies
FRANCE
Tel: +33 6 6047 9051
Fax: +31 26 3290141
E-mail: france@fst.nl

Flame Spray Technologies
SPAIN
Tel: +34 608 986 570
Fax: +31 26 3290141
E-mail: spain@fst.nl

Flame Spray Technologies, Inc.
UNITED STATES
Tel: +1 616 9882622
Fax: +1 616 9882629
E-mail: info@fstincusa.com

Flame Spray Technologies
MIDDLE EAST
Tel: +971 50 6171749
Fax: +971 439 473 54
E-mail: fstme@emirates.net.ae

Flame Spray Technologies Pte Ltd.
SINGAPORE
Tel: +65 644 982 38
E-mail: info@fst.sg

**THE POWER OF
PARTNERSHIP**

www.fst.nl