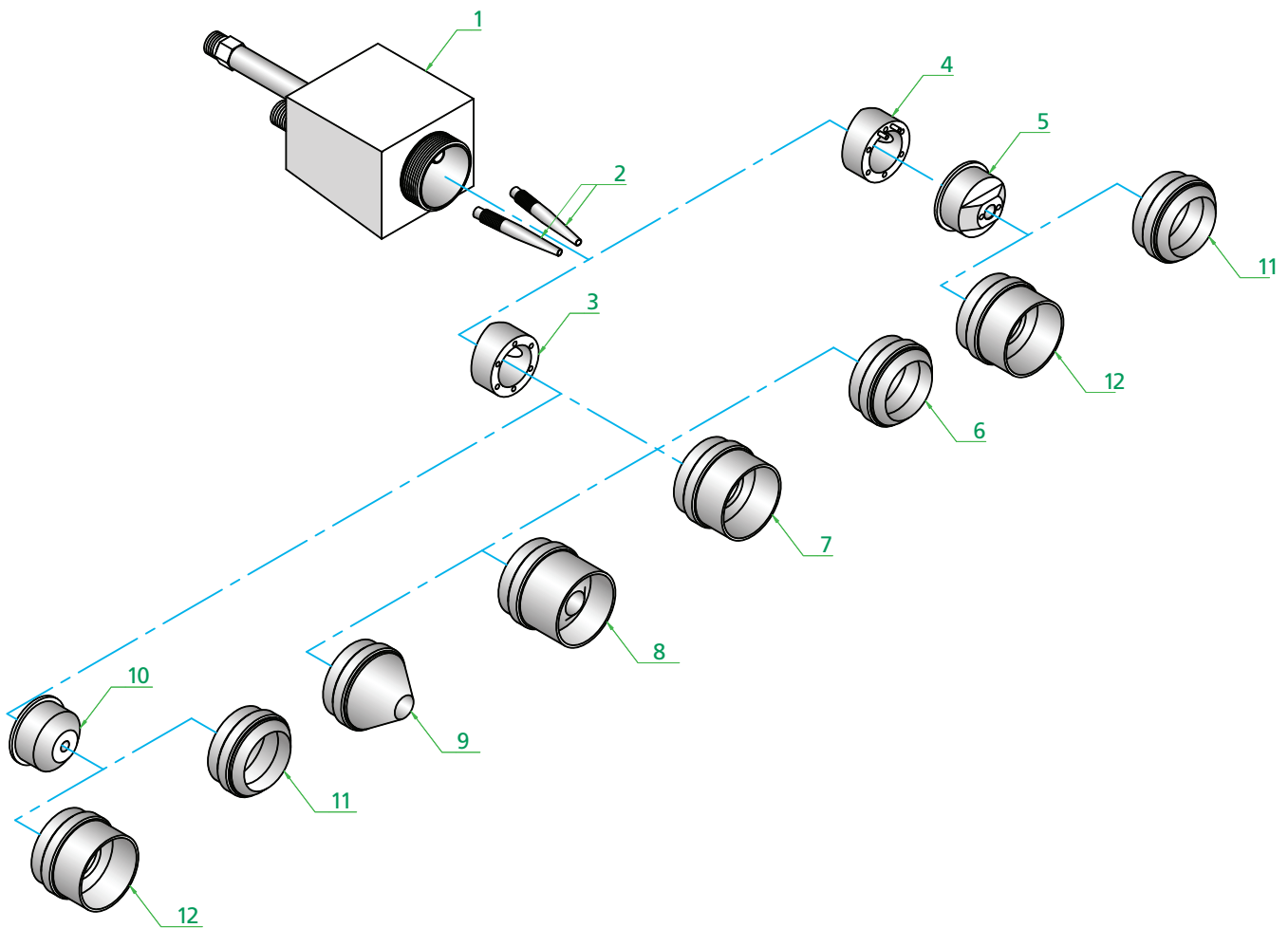
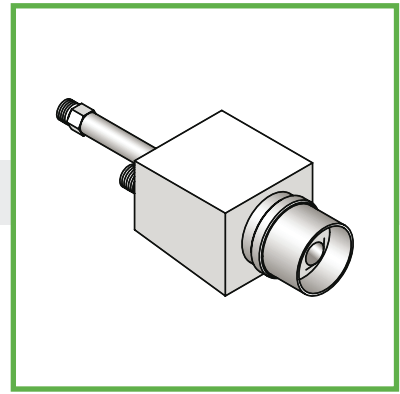


AWS-400 Arc Wire Gun



AWS-400 Arc Wire Gun			
Pos.	FST p/n	Product Description	OEM / Remark
	148.032	Gunhead assembly standard	861000081-FAAA (only for 1,6-2,0-2,3 mm)
1	148.031	Gunhead, No Hardware 14-11GA	861000081-F (only for 1.6-2.0-2.3 mm)
2	148.026	Guide, wire, 14GA, 1,6 mm	840000308
	148.014	Guide, wire, 14GA, 1,6 mm, 85/15	840000282
	148.027	Guide, wire, 2 mm	840000375
	148.015	Guide, wire, 2 mm, 85/15	840000376
	148.025	Guide, wire, 11GA, 2,3 mm	840000243
	148.065	Guide, wire, 11GA, 2,3 mm, 85/15	840000377
3	148.040	Retainer, wire guide, standard	845000312
4	148.041	Retainer, wire guide, with pins	840000480
5	148.003	Air Cap, fan spray, 14GA, 1.6mm	840000381
5	148.004	Air Cap, fan spray 11GA, 2.3 mm	840000340
6	148.011	Air Cap, Open without Shield	840000953
7	148.009	Air Cap, Open with Shield	840000954
8	148.002	Air Cap, high velocity w/arc shield	845004734
9	148.001	Air Cap, high velocity w/out Arc shield	840000222
10	148.005	Air Cap, fan spray 11GA, 2.3 mm, corrosion	840000941
11	148.007	Lock ring, fan spray ring w/o shield	840000380
12	148.006	Lock ring, fan spray w/arc shield	840000379
WIRE FEEDER			
	148.018	Drive roll, 14 Gauge, U-groove, 1.6 mm	881000005
	148.012	Drive roll, 2 mm, U-groove	881000167
	148.013	Drive roll, 2 mm, VK-groove	881000297
	148.016	Drive roll, 11GA (2.3mm), U-groove	885000346
	148.017	Drive roll, 11GA (2.3mm), VK-groove	881000173
	148.029	Intermediate wire guide	845000352
CABLES & HOSES			
	148.008-03	Cable, coaxial, length 10 ft.	861000003-10
	148.010	Cable, Ctrl, Trigger, 10 ft.	861000005-10
	148.033-02	Hose, atomizing, length 10 ft.	861000004-10
	148.035	Liner, nylon, black, 1/8" ID	880000008
	148.067-01	Cable, POWER, 2/0, negative 10 ft.	861000007-10
	148.068-01	Cable, POWER, 2/0, positive 10 ft.	861000006-10
	148.069-01	Cable, control, power supply, 10 ft.	861000008-10
	148.057	Switch box assembly, 20 ft.	861000139-20
		Other lengths on request	

AWS-400 Arc Wire Gun			
Pos.	FST p/n	Product Description	OEM / Remark
OTHERS			
	148.022	Guide, wire, coaxial cable, 14-11 GA (1,6-2,3	845001166
	148.023	Guide, wire, coaxial cable, 1/8" (3,2 mm)	840000524
	148.048	O-ring, B, 112, on coaxial cable	886000137
	148.049	Circuit breaker, 1 Amp	881000093
	148.050	Circuit breaker, 2 Amp	881000094
	148.051	Circuit breaker, 5 Amp	881000095
	148.052	Fuse, cartridge 5 Amp	156-065
	148.073	Fuse 20 Amp	886000793, -3AB
	148.070	Kit, Cable Conn, Remote RC2	861000241
	148.071	Kit, Cable Conn, Trigger RC3	including 148.334, 148.335,
	148.072	Air supply connection, assembly	
	148.100-01	AWS-400 extension 6" str.	861000051-6
	148.100-02	AWS-400 extension 12" 90°	861000098-12
	148.100-03	AWS-400 extension 24" 90°	861000098-24
	148.100-04	AWS-400 extension 36" 90°	861000098-36



Flame Spray Technologies

Flame Spray Technologies b.v.
THE NETHERLANDS (Head Office)

Tel: +31 26 3190140

Fax: +31 26 3190141

E-mail: info@fst.nl

Flame Spray Technologies Ltd.

UNITED KINGDOM

Tel: +44 2921 660511

Fax: +44 2921 660811

E-mail: uk@fst.nl

Flame Spray Technologies

FRANCE

Tel: +33 6 6047 9051

Fax: +31 26 3290141

E-mail: france@fst.nl

Flame Spray Technologies

SPAIN

Tel: +34 608 986 570

Fax: +31 26 3290141

E-mail: spain@fst.nl

Flame Spray Technologies, Inc.

UNITED STATES

Tel: +1 616 9882622

Fax: +1 616 9882629

E-mail: info@fstincusa.com

Flame Spray Technologies

MIDDLE EAST

Tel: +971 50 6171749

Fax: +971 439 473 54

E-mail: fstme@emirates.net.ae

Flame Spray Technologies Pte Ltd.

SINGAPORE

Tel: +65 644 982 38

E-mail: info@fst.sg

**THE POWER OF
PARTNERSHIP**

www.fst.nl