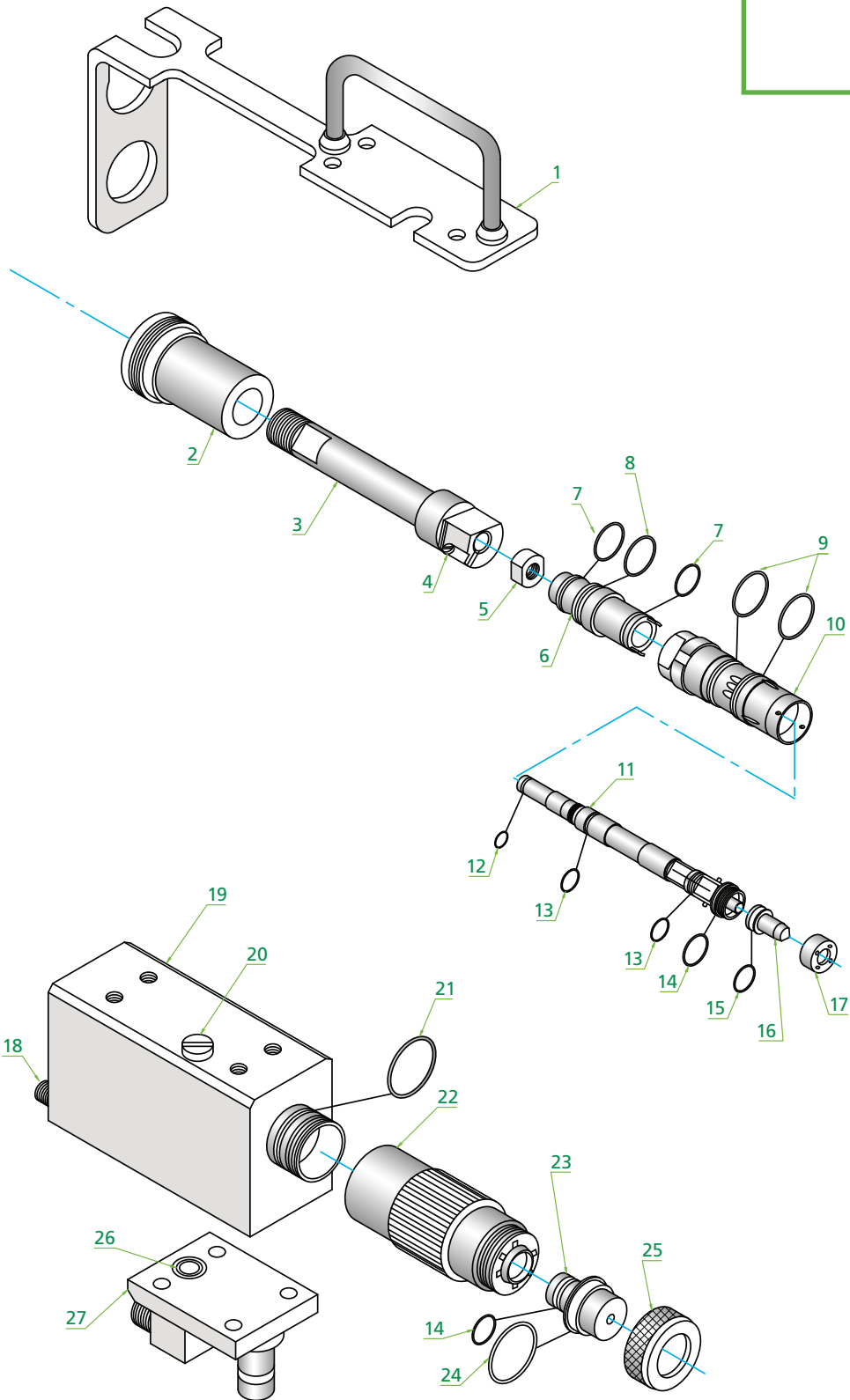
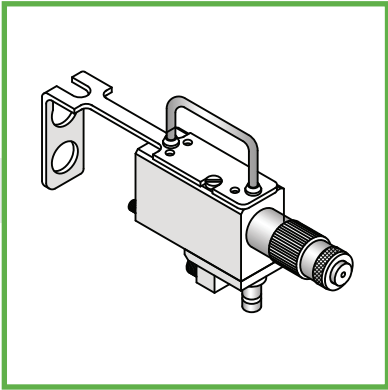


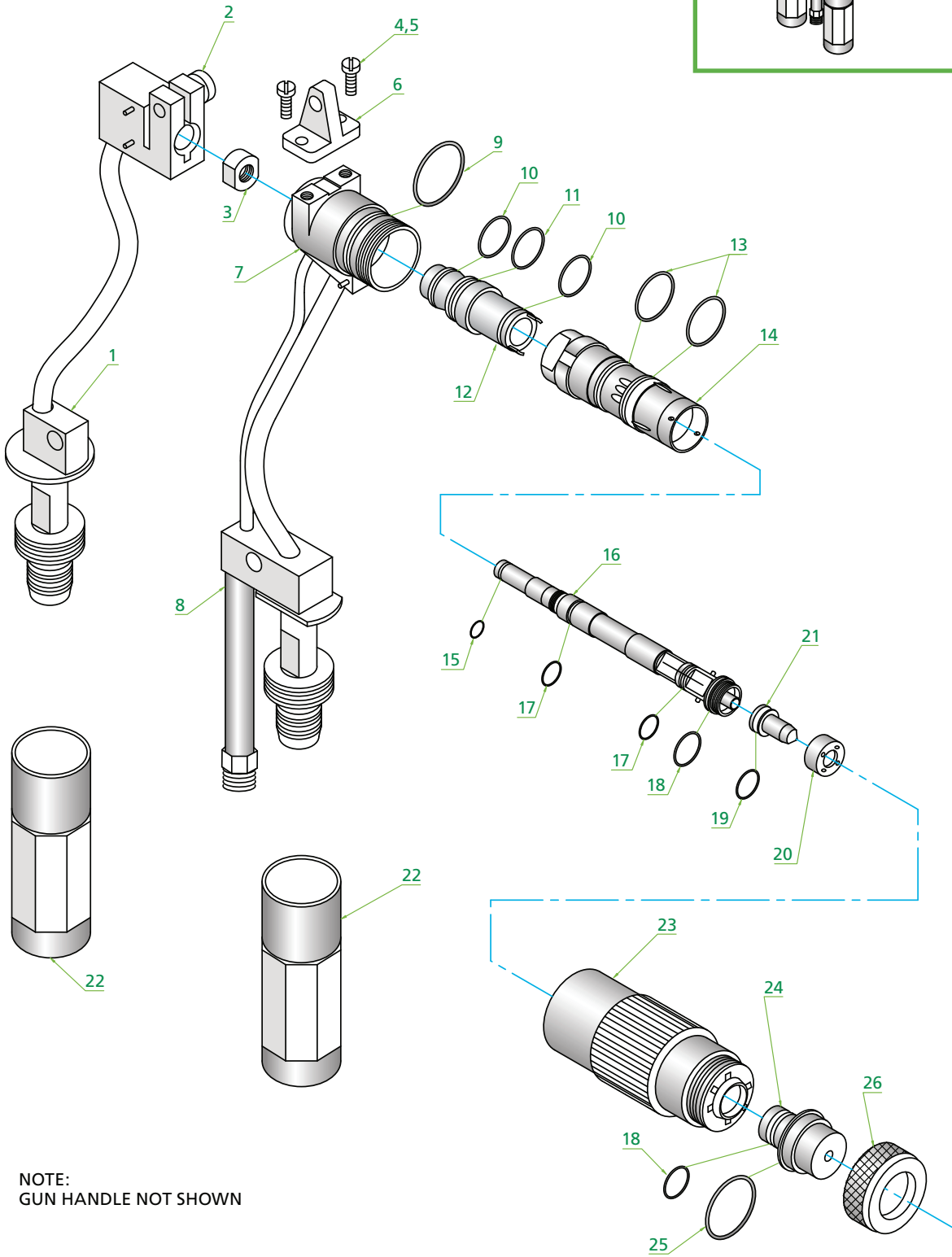
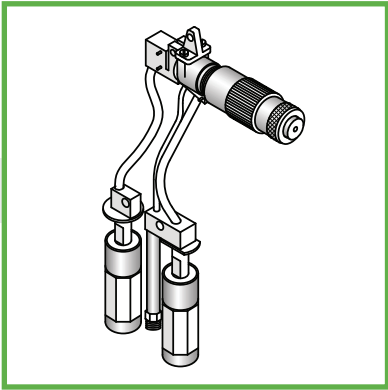
9MB Plasma Gun (machine mounted)



9MB PLASMA GUN (machine mounted)			
Pos.	FST p/n	Product Description	OEM / Remark
	306.000-01	Complete 9MB Plasma gun, machine mounted	Machine mounted version
1	306.090	Cable support strap assembly	9MB 301
2	306.067	Locking ring assembly	9MB 142
3	306.064	Electrode holder clamp & hose fitting	9MB 135
4	306.065	Screw, electrode holder clamp	9MB 138
5	306.018	Electrode holder nut	9MB 17
6	306.069	Rear insulator	9MB 166
7	306.021	O-Ring, rear insulator	9MB 21
8	306.033	O-Ring, insulator, rear	9MB 46
9	306.087	O-Ring, front insulator	9MB 296
10	306.035	Front insulator assembly, 2-hole argon	9MB 50, including O-Rings
	306.039	Front insulator assembly, nitrogen	9MB 55, including O-Rings
	306.155	Front insulator assembly, 6-hole argon	9MB 60, including O-Rings
11	306.019	Electrode holder assembly	9MB 18
12	306.043	O-Ring, electrode holder	9MB 56
13	306.038	O-Ring, electrode holder	9MB 52
14	306.060	O-Ring, electrode holder, rear insulator, nozzle	9MB 111
15	306.037	O-Ring, electrode	9MB 51
16	306.047	Electrode	9MB 63, including O-Ring
17	306.016	Electrode locking nut	9MB 14
18	306.074	Hose fitting (plasma gas)	9MB 208
19	306.030	Base assembly, machine mount	9MB 37
20	306.031	Plug screw	9MB 38
21	306.025	O-Ring, machine mount base	9MB 29
22	306.017	Gun water channeling head	9MB 15, including 9MB 297
23	380.100-01	"G" nozzle	3M7-G, 7M7-G, 9MB7-G
	380.100-02	"G" nozzle with tungsten insert	3M7-G, 7M7-G, 9MB7-G
	380.101-01	"GE" nozzle	3M7-GE, 7M7-GE, 9MB7-GE
	380.101-02	"GE" nozzle with tungsten insert	3M7-GE, 7M7-GE, 9MB7-GE
	380.102-01	"GH" nozzle	3M7-GH, 7M7-GH, 9MB7-GH
	380.102-02	"GH" nozzle with tungsten insert	3M7-GH, 7M7-GH, 9MB7-GH
	380.103-01	"GP" nozzle	3M7-GP, 7M7-GP, 9MB7-GP
	306.005	700 Nozzle assembly, std	9MB 700
	306.164	703 nozzle assembly	9MB 703
	306.165	704 nozzle assembly	9MB 704

9MB PLASMA GUN (machine mounted)			
Pos.	FST p/n	Product Description	OEM / Remark
	306.166	705 nozzle assembly	9MB 705
	306.167	706 nozzle assembly	9MB 706
	306.168	707 nozzle assembly	9MB 707
24	306.044	O-Ring, nozzle, large	9MB 57
25	306.015	Nozzle nut	9MB 8
26	306.086	O-Ring, valve, small	9MB 295
27	306.097	Hose fitting & mounting stud assembly	9MB 335
OTHERS			
	306.088	O-Ring, water channeling head	9MB 297
	306.106	Electrode & Insulator assembly	9MB 693, 2-hole argon
	306.107	Electrode & Insulator assembly	9MB 694, nitrogen
	306.079	Lock washer, cable support strap assembly	9MB 221
	306.099	Screw, cable support strap assembly	9MB 453
CABLES, HOSES, FITTINGS			
	380.024-01	Plasma gun power cable (negative), 20 ft	7MH20-20, for 7M/9M gun, length 20 ft
	380.024-02	Plasma gun power cable (negative), 15 ft	7MH20-15, for 7M/9M gun, length 15 ft
	380.026-01	Plasma gun power cable (positive), 20 ft	7MH10-20, for 7M/9M gun, length 20 ft
	380.026-02	Plasma gun power cable (positive), 15 ft	7MH10-15, for 7M/9M gun, length 15 ft
	380.025-01	Plasma gas hose assembly 20 ft	7MH50-20, for 7M/9M gun, length 20 ft
	380.025-02	Plasma gas hose assembly 15 ft	7MH50-15, for 7M/9M gun, length 15 ft
	500.032-01	4MP Powder Hose (15ft)	
	500.032-02	4MP Powder Hose (20ft)	
	500.032-03	4MP Powder Hose (30ft)	
	500.032-05	4MP Powder Hose Orange(15ft)	
	500.032-06	4MP Powder Hose Orange(25ft)	
		Other lengths available on request	

9MB Plasma Gun (hand held)



NOTE:
GUN HANDLE NOT SHOWN

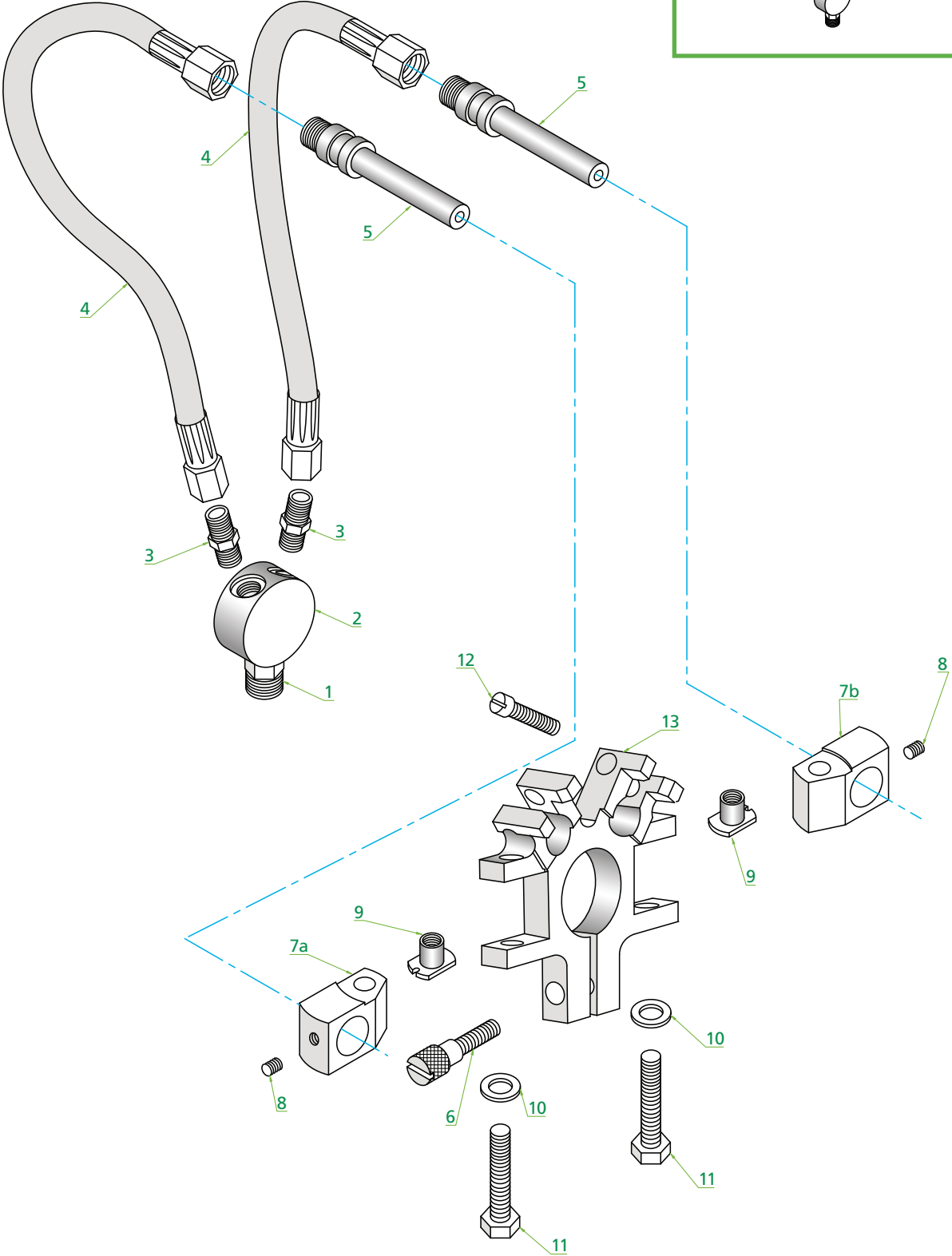
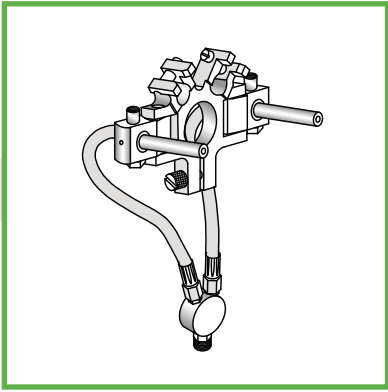
9MB PLASMA GUN (hand held)			
Pos.	FST p/n	Product Description	OEM / Remark
	306.000-02	Complete 9MB Plasma gun, hand held	Handheld version
1	306.026	Rear gun body assembly	9MB 30
2	305.015	Screw, clamp	9MB 670
3	306.018	Electrode holder nut	9MB 17
4	306.169	Screw, support bracket mounting	9MB 115
5	306.062	Lock washer, support bracket screw	9MB 121
6	306.057	Support bracket	9MB 95
7	306.024	Front gun body assembly	9MB 25, for handheld version
8	306.045	Hose assembly, front gun body	9MB 58
9	306.025	O-Ring, front gun body	9MB 29
10	306.021	O-Ring, rear insulator	9MB 21
11	306.033	O-Ring, insulator, rear	9MB 46
12	306.069	Rear insulator	9MB 166
13	306.087	O-Ring, front insulator	9MB 296
14	306.035	Front insulator assembly, 2-hole argon	9MB 50, including O-Rings
	306.039	Front insulator assembly, nitrogen	9MB 55, including O-Rings
	306.155	Front insulator assembly, 6-hole argon	9MB 60, including O-Rings
15	306.043	O-Ring, electrode holder	9MB 56
16	306.019	Electrode holder assembly	9MB 18
17	306.038	O-Ring, electrode holder	9MB 52
18	306.060	O-Ring, electrode holder, rear insulator, nozzle	9MB 111
19	306.037	O-Ring, electrode	9MB 51
20	306.016	Electrode locking nut	9MB 14
21	306.047	Electrode	9MB 63, including O-Ring
22	306.027	Insulator, water cooled cable	9MB 32
23	306.017	Gun water channeling head	9MB 15, including O-Ring
24	380.100-01	"G" nozzle	3M7-G, 7M7-G, 9MB7-G
	380.100-02	"G" nozzle with tungsten insert	3M7-G, 7M7-G, 9MB7-G
	380.101-01	"GE" nozzle	3M7-GE, 7M7-GE, 9MB7-GE
	380.101-02	"GE" nozzle with tungsten insert	3M7-GE, 7M7-GE, 9MB7-GE
	380.102-01	"GH" nozzle	3M7-GH, 7M7-GH, 9MB7-GH
	380.102-02	"GH" nozzle with tungsten insert	3M7-GH, 7M7-GH, 9MB7-GH
	380.103-01	"GP" nozzle	3M7-GP, 7M7-GP, 9MB7-GP
	306.005	700 Nozzle assembly	9MB 700
	306.164	703 nozzle assembly	9MB 703
	306.165	704 nozzle assembly	9MB 704

Spare Parts

9MB PLASMA GUN (hand held)			
Pos.	FST p/n	Product Description	OEM / Remark
	306.166	705 nozzle assembly	9MB 705
	306.167	706 nozzle assembly	9MB 706
	306.168	707 nozzle assembly	9MB 707
25	306.044	O-Ring, nozzle, large	9MB 57
26	306.015	Nozzle nut	9MB 8
OTHERS			
	306.148	Gun handle assembly	9MB 550
	306.088	O-Ring, water channeling head	9MB 297
	306.106	Electrode & Insulator assembly	9MB 693, 2-hole argon
	306.107	Electrode & Insulator assembly	9MB 694, nitrogen
CABLES, HOSES, FITTINGS			
	380.024-01	Plasma gun power cable (negative), 20 ft	7MH20-20, for 7M/9M gun, length 20 ft
	380.024-02	Plasma gun power cable (negative), 15 ft	7MH20-15, for 7M/9M gun, length 15 ft
	380.026-01	Plasma gun power cable (positive), 20 ft	7MH10-20, for 7M/9M gun, length 20 ft
	380.026-02	Plasma gun power cable (positive), 15 ft	7MH10-15, for 7M/9M gun, length 15 ft
	380.025-01	Plasma gas hose assembly 20 ft	7MH50-20, for 7M/9M gun, length 20 ft
	380.025-02	Plasma gas hose assembly 15 ft	7MH50-15, for 7M/9M gun, length 15 ft
	500.032-01	4MP Powder Hose (15ft)	
	500.032-02	4MP Powder Hose (20ft)	
	500.032-03	4MP Powder Hose (30ft)	
	500.032-05	4MP Powder Hose Orange(15ft)	
	500.032-06	4MP Powder Hose Orange(25ft)	
		Other lengths available on request	

Dual Powder Feed Assembly - Type 1

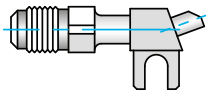
(with air jet)



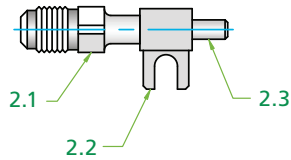
DUAL POWDER FEED ASSEMBLY (WITH AIR JET) – Type 1			
Pos.	FST p/n	Product Description	OEM / Remark
	381.121	Dual powder feed assembly (with air jet)	3M780A / 7M80 / 9MB80
1	381.131	Hose connection, large	3M42A / 7M20 / 9MB20
2	381.132	Wye, body only	3M41A
3	381.133	Hose connection, small	7M22 / 9MB22
4	381.134	Jet hose assembly	3M35A / 7M140 / 9MB140
5	381.135	Jet air nozzle	3M30A / 7M85 / 9MB85
6	381.136	Locking screw	3M327A / 7M327 / 9MB327
7a	381.137-01	Pivot block, left	7M82 / 9MB82
7b	381.137-02	Pivot block, right	7M83 / 9MB83
8	381.138	Jet set screw	3M31A / 7M87
9	381.139	Pivot block nut	3M86A / 7M86 / 9MB86
10	381.140	Pivot block washer	7M146
11	381.141	Screw, pivot block	3M5A / 7M84
12	381.143	Screw, powder port lock	3M43A / 7M45 / 9MB45
13	381.101	Dual powder port clamp (with air jet)	3M781A / 7M81 / 9MB81
	381.130	Wye assembly	7M35 / 9MB35
	381.137	Pivot block set	3M26A

Powder Port Assemblies - Type 1

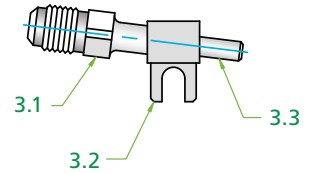
#1 Powder Port Assembly



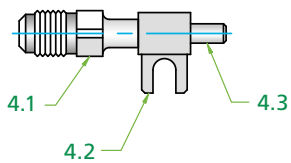
#2 Powder Port Assembly



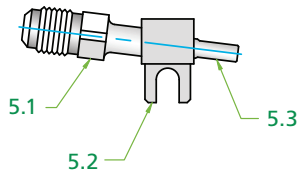
#3 Powder Port Assembly



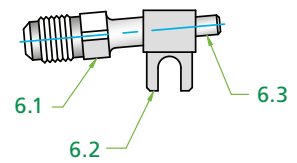
#4 Powder Port Assembly



#5 Powder Port Assembly

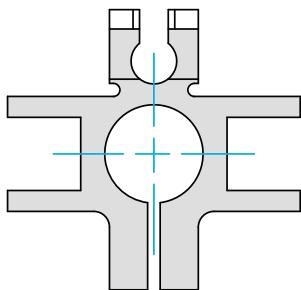


#6 Powder Port Assembly



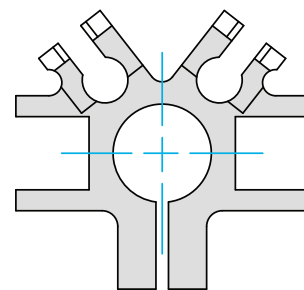
Clamps - Type 1

SINGLE CLAMP WITH AIR JET



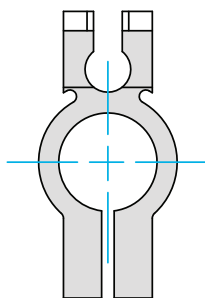
381.100

DUAL CLAMP WITH AIR JET



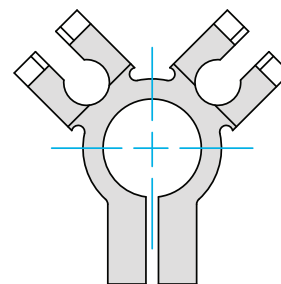
381.101

SINGLE CLAMP NO AIR JET



381.102

DUAL CLAMP NO AIR JET

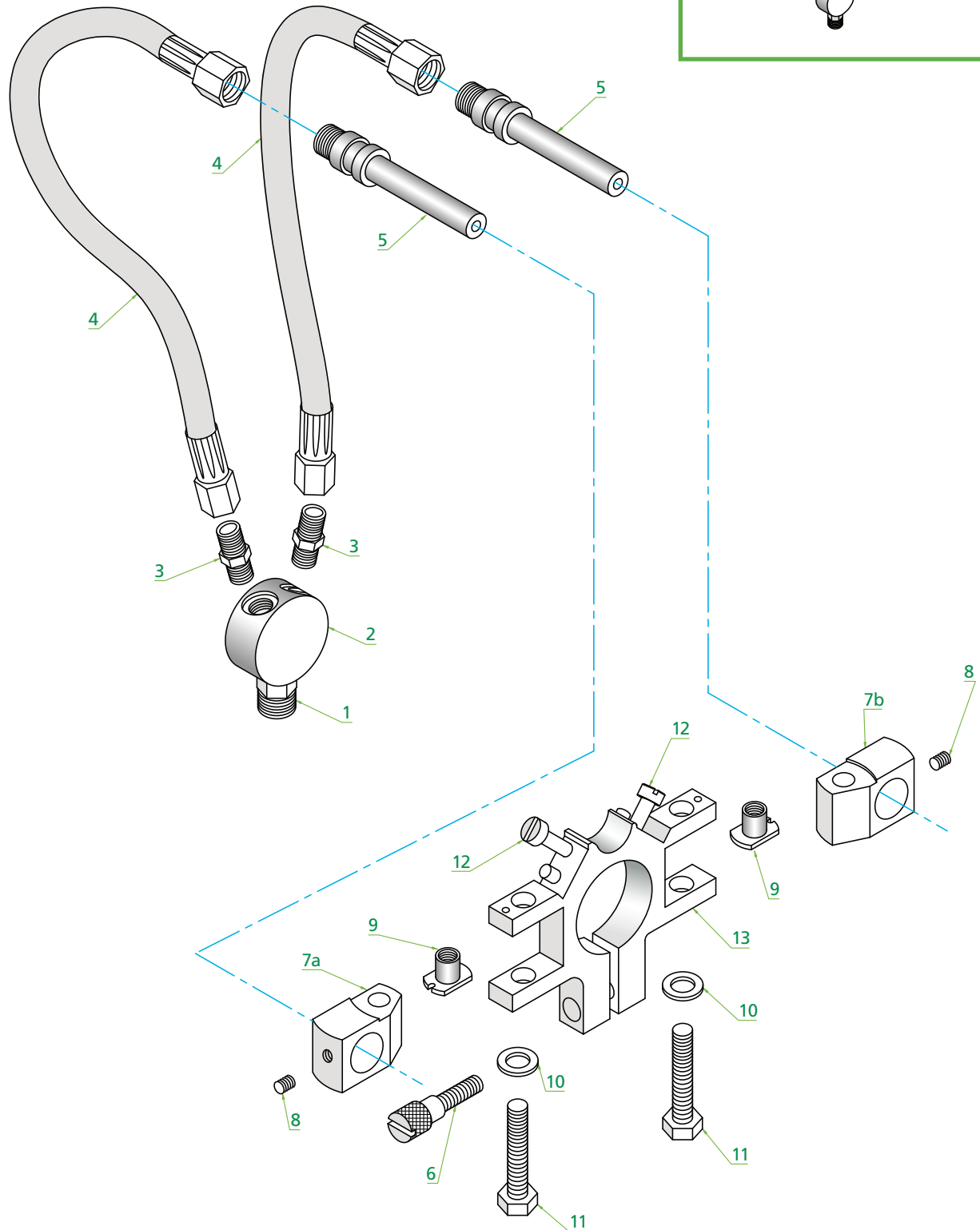
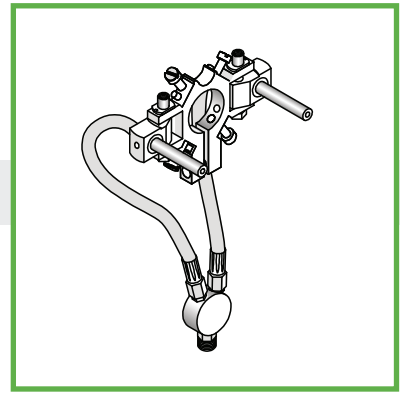


381.103

POWDER PORT ASSEMBLIES - Type 1			
Pos.	FST p/n	Product Description	OEM / Remark
#1	381.010-01	#1 Powder Port Assembly	3M320A / 7M320 / 9MB320
#2	381.020-01	#2 Powder Port Assembly	3M325A / 7M325 / 9MB325
2.1	381.001	Powder Port Stem	3M202 / 7M202 / 9MB202
2.2	381.022-01	#2 Mounting Block	3M211A / 7M211 / 9MB211
2.3	381.021	#2 Tip	3M210A / 7M210 / 9MB210
#3	381.030-01	#3 Powder Port Assembly	3M330A / 7M330 / 9MB330
3.1	381.001	Powder Port Stem	3M202 / 7M202 / 9MB202
3.2	381.032-01	#3 Mounting Block	3M204A / 7M204 / 9MB204
3.3	381.031	#3 Tip	3M203A / 7M203 / 9MB203
#4	381.040-01	#4 Powder Port Assembly	3M350A / 7M300 / 9MB300
4.1	381.001	Powder Port Stem	3M202 / 7M202 / 9MB202
4.2	381.042-01	#4 Mounting Block	3M216A / 7M216 / 9MB216
4.3	381.041	#4 Tip	3M215A / 7M215 / 9MB215
#5	381.050-01	#5 Powder Port Assembly	3M245A / 7M245 / 9MB245
5.1	381.001	Powder Port Stem	3M202 / 7M202 / 9MB202
5.2	381.052-01	#5 Mounting Block	3M247A / 7M247 / 9MB247
5.3	381.051	#5 Tip	3M246A / 7M246 / 9MB246
#6	381.060-01	#6 Powder Port Assembly	3M285A / 7M285 / 9MB285
6.1	381.001	Powder Port Stem	3M202 / 7M202 / 9MB202
6.2	381.062-01	#6 Mounting Block	3M287A / 7M287 / 9MB287
6.3	381.061	#6 Tip	3M286A / 7M286 / 9MB288
CLAMPS - Type 1			
	381.100	Single powder port clamp (with air jet)	3M661A / 7M661 / 9MB661
	381.101	Dual powder port clamp (with air jet)	3M781A / 7M81 / 9MB81
	381.102	Single powder port clamp (no air jet)	3M315A / 7M315 / 9MB315
	381.103	Dual powder port clamp (no air jet)	3M342A / 7M302 / 9MB302

Dual Powder Feed Assembly - Type 2

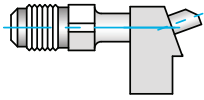
(with air jet)



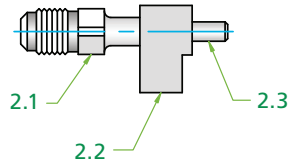
DUAL POWDER FEED ASSEMBLY (WITH AIR JET) – Type 2			
Pos.	FST p/n	Product Description	OEM / Remark
	381.122	Dual powder feed assembly (with air jet)	9MB952
1	381.131	Hose connection, large	3M42A / 7M20 / 9MB20
2	381.132	Wye, body only	3M41A
3	381.133	Hose connection, small	7M22 / 9MB22
4	381.134	Jet hose assembly	3M35A / 7M140 / 9MB140
5	381.135	Jet air nozzle	3M30A / 7M85 / 9MB85
6	381.136	Locking screw	3M327A / 7M327 / 9MB327
7a	381.137-01	Pivot block, left	7M82 / 9MB82
7b	381.137-02	Pivot block, right	7M83 / 9MB83
8	381.138	Jet set screw	3M31A / 7M87
9	381.139	Pivot block nut	3M86A / 7M86 / 9MB86
10	381.140	Pivot block washer	7M146
11	381.141	Screw, pivot block	3M5A / 7M84
12	381.142	Screw, mounting block	9MB962
13	381.112	Dual powder port clamp (with air jet)	9MB953
	381.130	Wye assembly	7M35 / 9MB35
	381.137	Pivot block set	3M26A

Powder Port Assemblies - Type 2

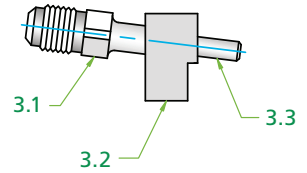
#1 Powder Port Assembly



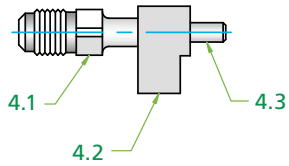
#2 Powder Port Assembly



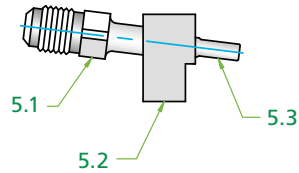
#3 Powder Port Assembly



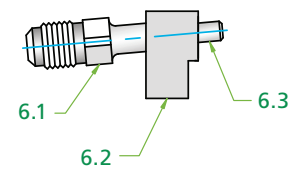
#4 Powder Port Assembly



#5 Powder Port Assembly

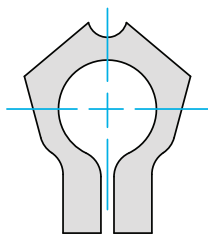


#6 Powder Port Assembly



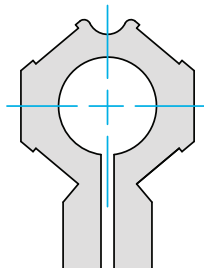
Clamps - Type 2

DUAL CLAMP NO AIR JET



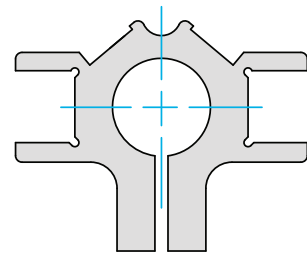
381.110

QUAD CLAMP NO AIR JET



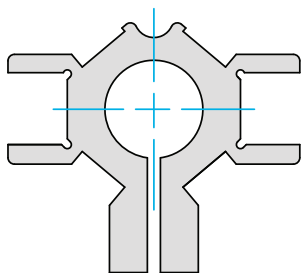
381.111

DUAL CLAMP WITH AIR JET



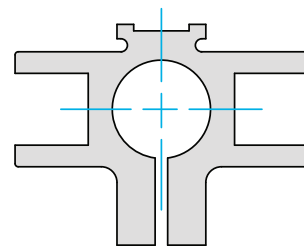
381.112

QUAD CLAMP WITH AIR JET



381.113

SINGLE CLAMP WITH AIR JET



381.114

POWDER PORT ASSEMBLIES - Type 2			
Pos.	FST p/n	Product Description	OEM / Remark
#1	381.010-02	#1 Powder Port Assembly	9MB971
#2	381.020-02	#2 Powder Port Assembly	9MB972
2.1	381.001	Powder Port Stem	3M202 / 7M202 / 9MB202
2.2	381.022-02	#2 Mounting Block	9MB982
2.3	381.021	#2 Tip	3M210A / 7M210 / 9MB210
#3	381.030-02	#3 Powder Port Assembly	9MB973
3.1	381.001	Powder Port Stem	3M202 / 7M202 / 9MB202
3.2	381.032-02	#3 Mounting Block	9MB983
3.3	381.031	#3 Tip	3M203A / 7M203 / 9MB203
#4	381.040-02	#4 Powder Port Assembly	9MB974
4.1	381.001	Powder Port Stem	3M202 / 7M202 / 9MB202
4.2	381.042-02	#4 Mounting Block	9MB984
4.3	381.041	#4 Tip	3M215A / 7M215 / 9MB215
#5	381.050-02	#5 Powder Port Assembly	9MB975
5.1	381.001	Powder Port Stem	3M202 / 7M202 / 9MB202
5.2	381.052-02	#5 Mounting Block	9MB985
5.3	381.051	#5 Tip	3M246A / 7M246 / 9MB246
#6	381.060-02	#6 Powder Port Assembly	9MB976
6.1	381.001	Powder Port Stem	3M202 / 7M202 / 9MB202
6.2	381.062-02	#6 Mounting Block	9MB986
6.3	381.061	#6 Tip	3M286A / 7M286 / 9MB288
CLAMPS - Type 2			
	381.110	Dual powder port clamp (no air jet)	9MB961
	381.111	Quad powder port clamp (no air jet)	9MB964
	381.112	Dual powder port clamp (with air jet)	9MB953
	381.113	Quad powder port clamp (with air jet)	9MB951
	381.114	Single powder port clamp (with air jet)	9MB954



Flame Spray Technologies

Flame Spray Technologies b.v.
THE NETHERLANDS (Head Office)
Tel: +31 26 3190140
Fax: +31 26 3190141
E-mail: info@fst.nl

Flame Spray Technologies Ltd.
UNITED KINGDOM
Tel: +44 2921 660511
Fax: +44 2921 660811
E-mail: uk@fst.nl

Flame Spray Technologies
FRANCE
Tel: +33 6 6047 9051
Fax: +31 26 3290141
E-mail: france@fst.nl

Flame Spray Technologies
SPAIN
Tel: +34 608 986 570
Fax: +31 26 3290141
E-mail: spain@fst.nl

Flame Spray Technologies, Inc.
UNITED STATES
Tel: +1 616 9882622
Fax: +1 616 9882629
E-mail: info@fstincusa.com

Flame Spray Technologies
MIDDLE EAST
Tel: +971 50 6171749
Fax: +971 439 473 54
E-mail: fstme@emirates.net.ae

Flame Spray Technologies Pte Ltd.
SINGAPORE
Tel: +65 644 982 38
E-mail: info@fst.sg

**THE POWER OF
PARTNERSHIP**

www.fst.nl